

# LOCKS FOR GATES AND DOORS



**CATALOGUE 2020**



**CATALOGUE 2020**

## WE GENERATE EXCITEMENT.

Since the foundation of the company in 1890 until today the goal has remained the same: the highest quality in products and services. Nevertheless, the circumstances, tasks and challenges have changed, of course. By focussing on our core areas of expertise, we have long set new standards for innovative clamping technology - driven by our own development, the greatest possible flexibility and passion for individual solutions.

All this is only possible with committed and contented employees. Respectful interaction with others, personal development and measures for the wellbeing of each individual are therefore values that matter to us.



Company Management:  
Wolfgang Balle, Johannes Maier (CEO), Jürgen Förster

## OUR COMPANY HISTORY

- 1890 Company founded as a lock manufacturer by Andreas Maier.
- 1920 Product range extended to include spanners.
- 1928 Production line assembly of FELLBACH LOCKS.
- 1951 Introduces clamping elements and diversifies into workpiece and tool clamping technology.
- 1965 Toggle clamps extend the AMF product range, AMF catalogues are now printed in ten languages.
- 1975 Further specialisation into hydraulic clamping technology.
- 1982 Clamping and fixture systems round off AMF's clamping expertise.
- 1996 AMF team organisation in all sectors of the business, Quality management with certification to ISO 9001.
- 2001 AMF Service Guarantee for all products.
- 2004 Introduction of the ZPS zero-point clamping system.
- 2007 The magnetic clamping technology extends the AMF product range.
- 2009 Development and marketing of AMF Vacuum clamping technology.
- 2012 LOW-COST AUTOMATION gripping, clamping, marking and cleaning.
- 2014 AMF presents the most extensive product range of automation solution in zero-point clamping technology.
- 2017 Wireless sensing systems extend the expertise into Industry 4.0 and blends seamlessly into the AMF product range.

## PLEDGES THAT COUNT IN EVERYDAY LIFE

For this reason, we have a few principles that we follow by conviction and which always apply..

### INDIVIDUAL DEVELOPMENT

Even if the product you need does not even exist yet, we will find the right solution with you: from special designs to new developments, everything is possible.

### WARRANTY

If, despite our high quality standard, there is a complaint, this is dealt with quickly and unbureaucratically, even beyond the warranty period.

### HIGHEST QUALITY STANDARDS

Careful manufacturing based on tradition since 1890, and naturally with a modern quality management system according to ISO 9001 for many years.

### SHORT DELIVERY TIME

With over 5,000 articles in our warehouse, you can expect your order to be dispatched on the same day.

### COMPETENT SERVICE FROM EXPERTS

Your local retail partner or the specialists in our team will find the right solution for every task.

### MADE IN GERMANY

Our entire product range is developed and manufactured exclusively by our employees in Germany.

<b>CASED LOCK RANGE IN STAINLESS STEEL</b>		10 - 19
<b>LOCK CASES</b>		20 - 41
<b>STRIKING BOXES AND SLIDING BOLTS</b>		42 - 50
<b>FURNITURE FOR CASED LOCKS, DOOR HINGES AND ACCESSORIES</b>		51 - 77
<b>TUBE-FRAME LOCKS</b>		78 - 81
<b>WROUGHT-IRON GATE LOCKS</b>		82
<b>CASE LOCKS AND SHUTTER FITTINGS</b>		83 - 89
<b>GARAGE DOOR LOCKS AND FITTINGS</b>		90 - 94
<b>KEYS AND LOCK SPRINGS</b>		95 - 100
<b>LOCK CASE INSTALLATION</b>		101



**Z IKON ROUND CYLINDER**  
No. 536, page 94

**SLIDING-DOOR LOCK CASE, BARE-METAL**

No. 140S, page 40



**ELECTRIC DOOR-OPENER**

No. 148, page 48



**ESPAGNOLETTE, RAIL-GUIDED**

No. 151NI, page 49



**LOCK CASE, BARE-METAL**

No. 140P, page 32



**LOCK CASE, BARE-METAL**

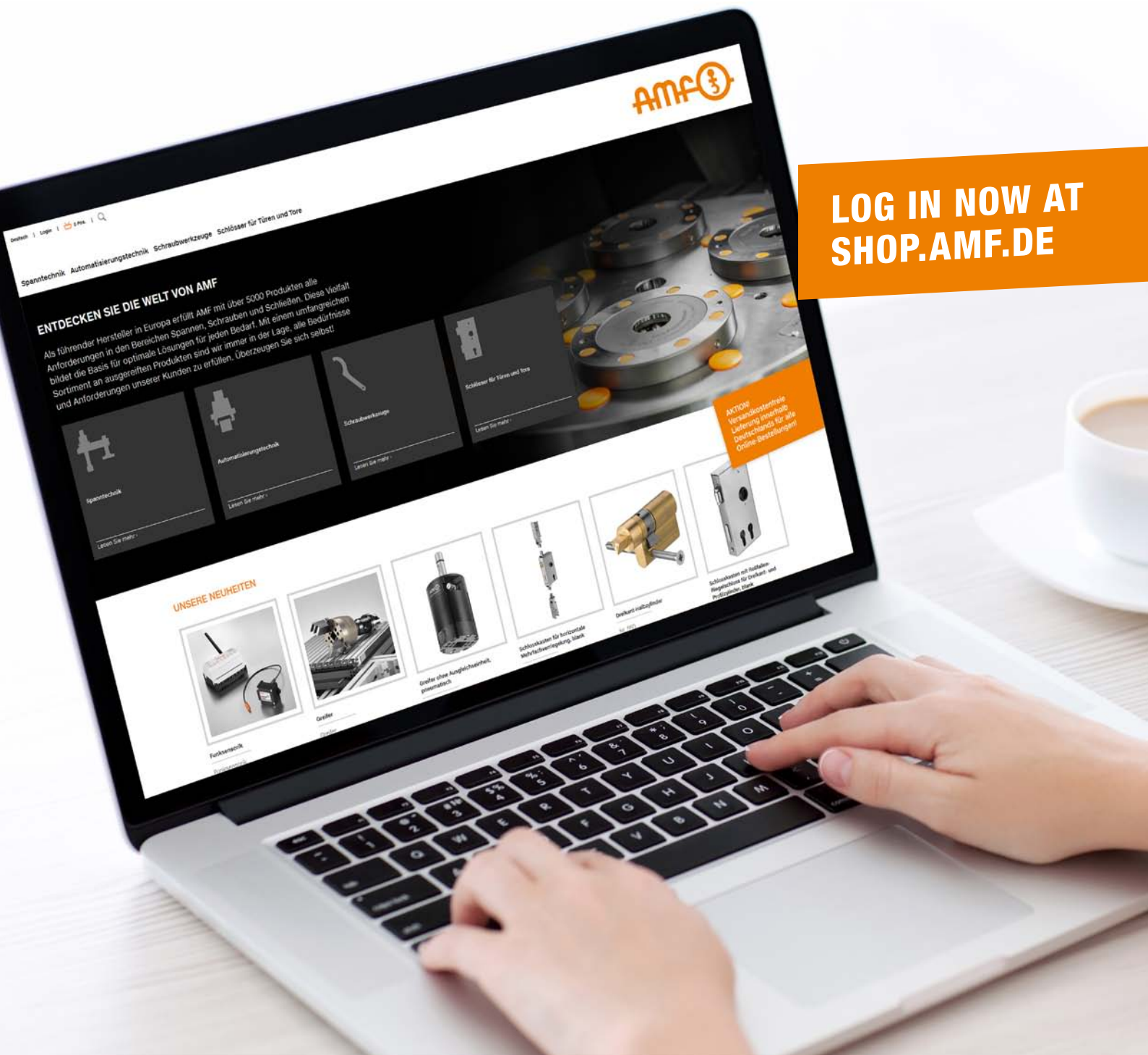
No. 140UM, page 23





## CONVENIENT ORDERING – IN OUR ONLINE SHOP

- + Over 6000 products can be ordered online
- + Order tracking online
- + Easy download of CAD data
- + Online inquiry of availability
- + Management of different shopping carts



LOG IN NOW AT  
[SHOP.AMF.DE](http://SHOP.AMF.DE)





## DESIGN COMPANY AMF - FOR A SOPHISTICATED APPEARANCE

A cased lock is, first and foremost, an object that should fulfil its purpose reliably, day by day, for many years.

Our development department combines this function with an individual design that is completely tailor-made to the location of your AMF cased lock. Making your door concept a real eye-catcher.

See the individual fittings for yourself - designed & made by AMF.

Our development department is there to help you:

**Steffen Kommode** | Product design Locks | [kommode@amf.de](mailto:kommode@amf.de)



## EXPERTS SINCE 1890

Almost every day we receive enquiries on the subjects of products, orders and shipping.

Questions about any topic you could imagine. We take your questions seriously, and are glad to answer them for you. Quality, reliability and speed have always been our top priorities.

Here we would like to present some of the questions that we receive most often. Perhaps one or more of them is just what you were thinking of asking.



### ? HOW LONG DO I HAVE TO WAIT FOR MY DELIVERY?

! Every order that we receive before 4:30 p.m. CET is shipped here at AMF on the very same day.

### ? CAN YOU SHIP DIRECTLY TO MY CUSTOMERS?

! Of course. For a fee of five euros we will send the goods exactly according to your wishes.

### ? ARE THE PRODUCTS THAT I WANT TO ORDER ACTUALLY AVAILABLE?

! Our capacities guarantee an availability of 98%. If you want to be absolutely sure, simply give us a call. You can reach us between 7:30 a.m. and 4:30 p.m. CET at +49 711/5766-0.

### ? CAN YOU GUARANTEE ME CONSISTENT QUALITY?

! Yes. And it is certified, too. Because AMF is a DIN EN ISO 9001-certified company. Our work processes are inspected annually.

### ? WHAT FITTINGS ARE SUITABLE FOR WHICH LOCKS?

! For our lock case product range there are fittings in stainless steel, aluminium and forged steel. These are suitable for all lock cases with profile cylinder bores. There are also fittings for all tube-frame locks and suitable fittings for garage door locks.

### ? WHY DO AMF LOCK CASES NOT HAVE ANY ZINC DRAIN HOLES?

! The locksmith creates the zinc drain holes for the entire gate after the gate has been completely welded together. The size and position of the holes are determined by his knowledge and experience and the position of the lock case.

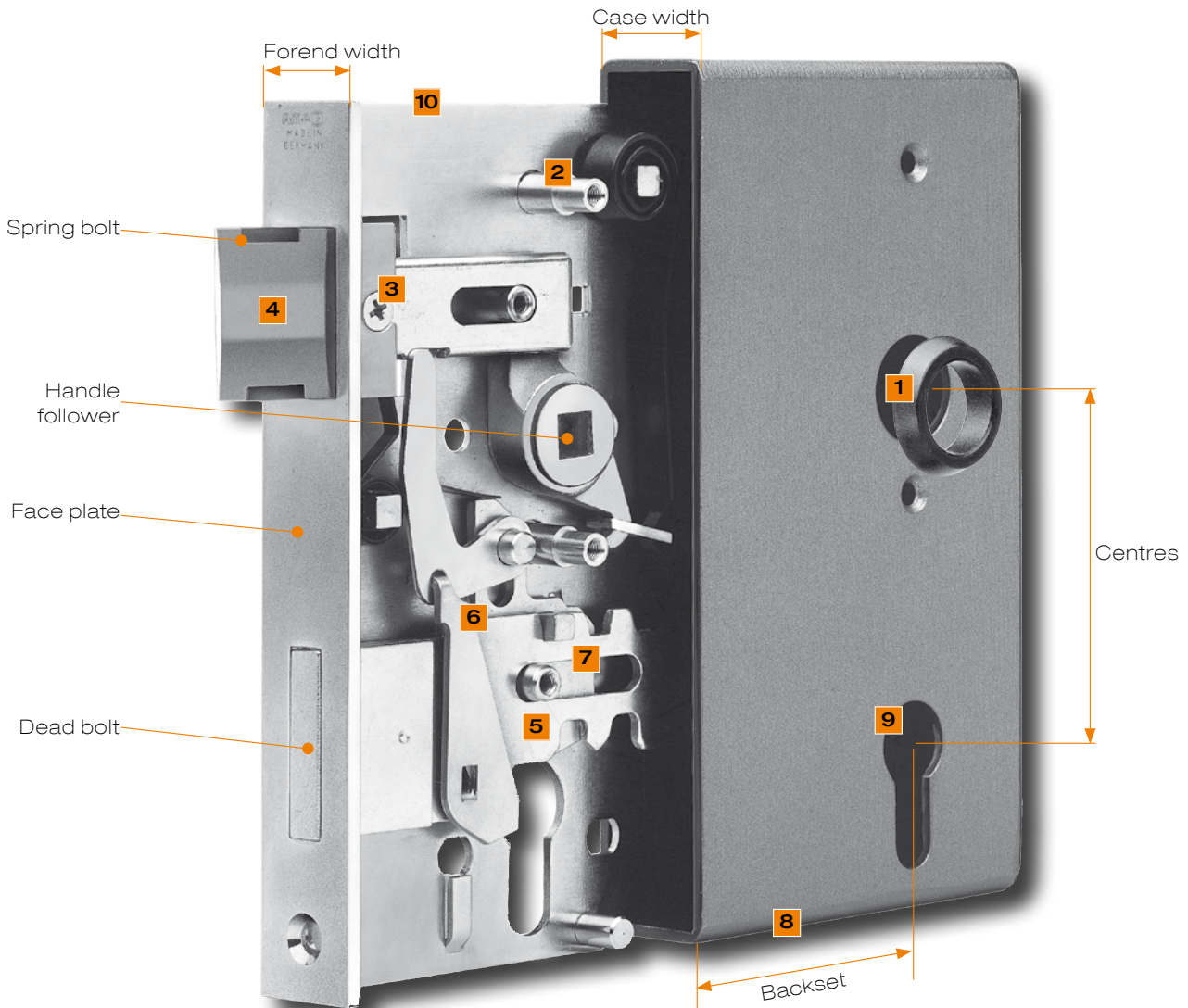
### ? WHAT IS THE DIFFERENCE BETWEEN A PZ LOCK AND A RZ LOCK?

! AMF locks are used far beyond the borders of Germany. PZ stands for the profile cylinders used in Germany, RZ for the Swiss round cylinder.

### ? WHY DO AMF LOCK CASES HAVE MOVABLE SOLID SLEEVES?

! The forces that arise when the lock is screwed tight in the lock case must not have any effect on the internal parts of the lock. This keeps the lock from being distorted and ensures free movement.

## Ten reasons to specify AMF lock case no. 140


**1 LEVER ROSES**

included, 18 mm for light-alloy fittings.

**2 SOLID SLEEVES**

continuous, for easy installation without distorting the lock.

**3 SPRING BOLT LENGTH**

3 mm, projecting, convertible to 8 mm with long spring bolt. Right/left conversion with rugged Philips screw.

**4 SPRING BOLT THICKNESS**

15.5 mm, steep bolt chamfers enable soft insertion with a long spring bolt travel of 12 mm.

**5 DEAD BOLT**

2 rotations = 2 x pre-locking of the dead bolt is possible.

**6 NIGHT LATCH FUNCTION**

2-part design for easy spring bolt actuation.

**7 PERMANENTLY LUBRICATED**

Installation for long functional capability.

**8 EDGE RADII**

with neat, even workmanship, made in Germany.

**9 CYLINDER**

Optionally prepared for profile cylinder (PZ), Swiss round cylinder (RZ) or bit key adapter set.

**10 CORROSION PROTECTION**

As standard. All parts including springs fully galvanized. Choice of brass or die-cast zinc spring bolt and dead bolt.



## ELEGANT LOCK CASES - ELEGANT QUALITY

- > Sophisticated visual design
- > Flawless workmanship
- > Extremely tough

### STAINLESS STEEL - THE EMOTIONAL MATERIAL!

Elegant but not extravagant, understated but not just ordinary steel - it embodies the distinctive personality of its owner.

No finishing treatment, e.g. painting or galvanizing, is needed either before or after installation. This saves time and additional costs.

The price/performance ratio speaks in favour of an unlimited range of possible applications.





## No. 140CNIG

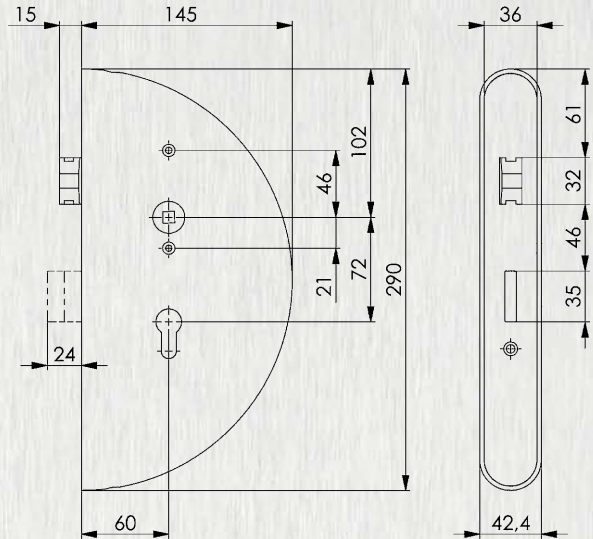
### Lock case, V2A

Stainless steel, **polished**, mesh 240. With zinc-plated lock no. 142CNIG, with stainless steel fore-end, polished.  
 Brass spring bolt and bolt. Can be used for left or right closing by turning the spring bolt. Prepared for profile cylinder (PZ) or bit key adapter set. With night latch function.  
 Incl. handle rosette set no. 494.

- backset 60 mm
- rotation 2 turn
- follower 8 mm
- centres 72 mm
- spring-bolt projection 3 mm



Order no.	Case depth [mm]	Closure	Dimension [mm]	Material thickness [mm]	Weight [g]
14530	42,4	PZW	42,4 x 145 x 290	3,0	3000



#### Recommendations



No. 140CNIG-A42, page 73

No. 419, page 55

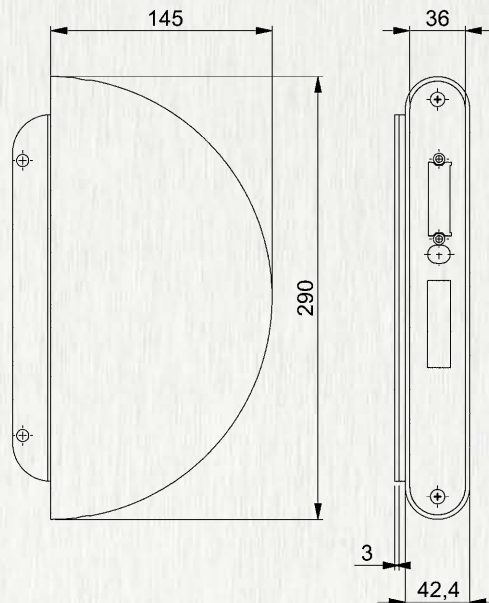
## No. 144CNIG

### Striking box, V2A

Stainless steel, **polished**, mesh 240. For screwing on (see no. 140CNIG-A42) or welding on. Can be used on left or right.  
 Prepared for electric door opener.  
 Incl. striking plate, stainless steel.



Order no.	Case depth [mm]	Dimension [mm]	Material thickness [mm]	Weight [g]
14571	42,4	42,4 x 145 x 290	3,0	2500



#### Recommendations



No. 148, page 48

No. 149ANI, page 73

No. 151NI, page 49

Subject to technical alterations.

## No. 141ENIG

### Lock case, V2A

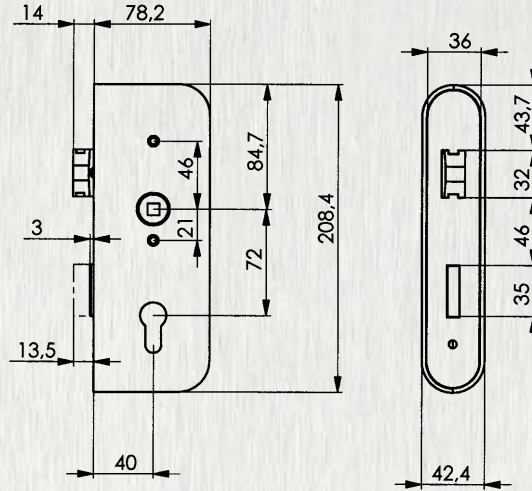
Stainless steel, **polished**, mesh 240. With zinc-plated lock no. 143ENIG, with stainless steel fore-end, polished. Spring bolt and bolt nickel-plated. Can be used for left or right closing by turning the spring bolt. Prepared for profile cylinder (PZ) or bit key adapter set. With night latch function.

Incl. handle rosette set no. 494.

- backset 40 mm
- rotation 1 turn
- follower 8 mm
- centres 72 mm
- spring-bolt projection 2 mm
- bolt protection 3 mm



Order no.	Case depth [mm]	Closure	Dimension [mm]	Material thickness [mm]	Weight [g]
10454	42,4	PZW	42,4 x 78,2 x 208,4	3,0	1400



### Recommendations



No. 140ENIG-A42, page 73



No. 419, page 55



## No. 146ENIG

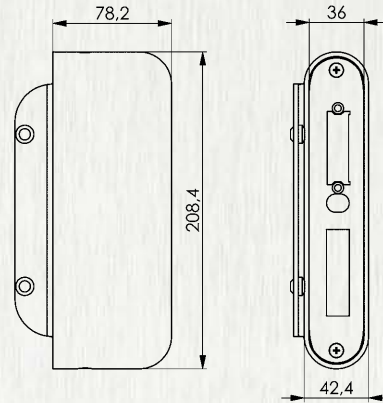
### Striking box, V2A

Stainless steel, **polished**, mesh 240. For screwing on (see no. 140ENIG-A42) or welding on. Can be used on left or right. Prepared for electric door opener.

Incl. striking plate, stainless steel.



Order no.	Case depth [mm]	Dimension [mm]	Material thickness [mm]	Weight [g]
10462	42,4	42,4 x 78,2 x 208,4	3,0	1240



### Recommendations



No. 148, page 48



No. 149ANI, page 73



No. 151NI, page 49



Subject to technical alterations.



## No. 140UNIG

### Lock case, V2A, polished

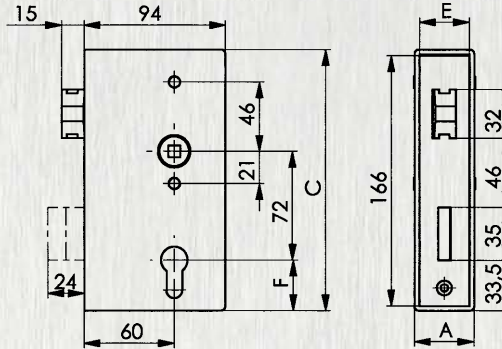
Stainless steel, **polished**, mesh 240. With zinc-plated lock no. 142UNIG-\*\*, with stainless steel fore-end, polished. Brass spring bolt and bolt. Can be used for left or right closing by turning the spring bolt. Prepared for profile cylinder (PZ) or bit key adapter set. With night latch function.

Incl. handle rosette set no. 494.

- backset 60 mm
- rotation 2 turn
- follower 8 mm
- centres 72 mm
- spring-bolt projection 3 mm



Order no.	Case width A [mm]	Closure	C [mm]	E [mm]	F [mm]	Material thickness [mm]	Weight [g]
14639	30	PZW	172	24	33,5	2,5	1550
14159	40	PZW	173	33	34,0	3,0	1790
10587	42,4	PZW	173	36	34,0	3,0	1950



### Recommendations



No. 55, page 67

## No. 142UNIG

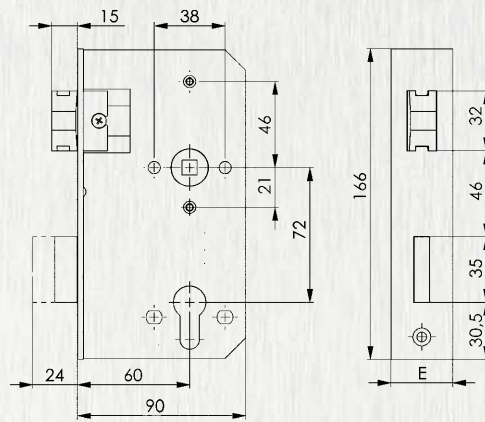
### Lock, zinc-plated

with stainless steel fore-end, polished. Brass spring bolt and bolt. Can be used for left or right closing by turning the spring bolt. Prepared for profile cylinder (PZ) or bit key adapter set. Night latch function.

- backset 60 mm
- rotation 2 turns
- follower 8 mm
- centres 72 mm
- spring-bolt projection 3 mm



Order no.	for case width [mm]	Closure	E [mm]	Weight [g]
14332	30	PZW	24	770
14357	40	PZW	33	810
10603	42,4	PZW	36	840



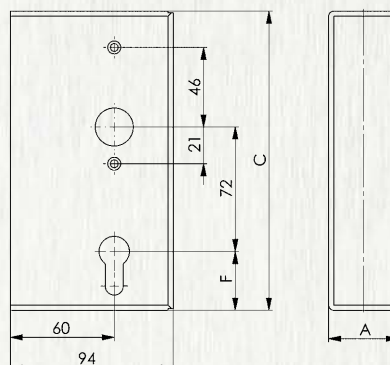
## No. 140KNIG

### Lock case, empty, V2A, polished

Accessories: handle rosette set no. 494.

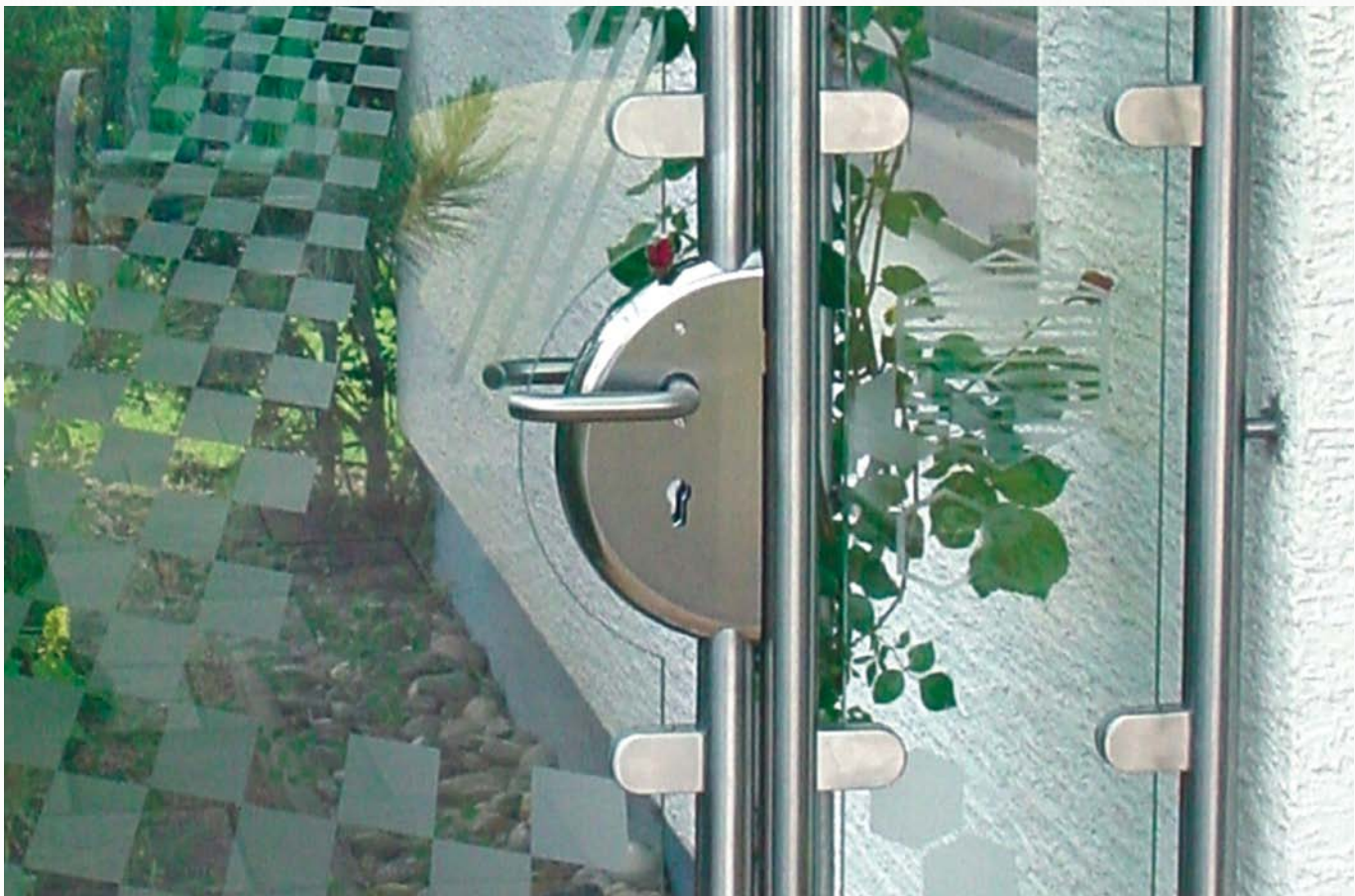


Order no.	Case width A [mm]	C [mm]	F [mm]	Material thickness [mm]	Weight [g]
14605	30,0	172	33,5	2,5	765
14050	40,0	173	34,0	3,0	990
11171	42,4	173	34,0	3,0	1050



Subject to technical alterations.





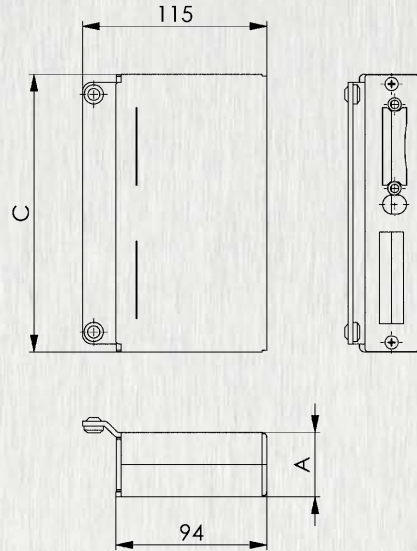


## No. 144ETNIG

### Striking box, V2A

Stainless steel, **polished**, mesh 240.  
 For welding. Can be used on left or right.  
 Prepared for electric door opener.  
 Incl. striking plate, stainless steel.

Order no.	Case width A [mm]	C [mm]	Weight [g]
<b>10975</b>	30	172	950
<b>10967</b>	40	173	1250
<b>11593</b>	42,4	173	1275



### Recommendations



No. 148,  
page 48



No. 149ANI,  
page 73



No. 151NI,  
page 49



## No. 141UNIG

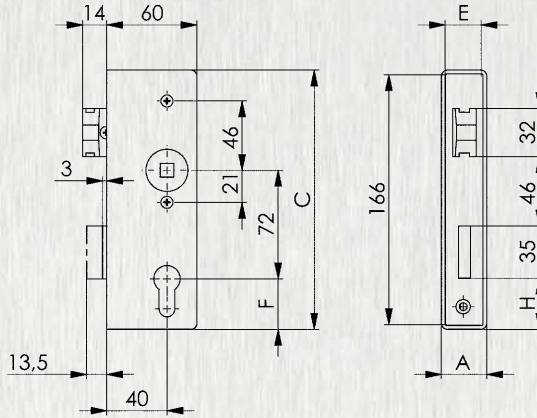
### Lock case, V2A

Stainless steel, **polished**, mesh 240. With zinc-plated lock no. 143UNIG-\*\*, with stainless steel fore-end, polished. Spring bolt and bolt nickel-plated. Can be used for left or right closing by turning the spring bolt. Prepared for profile cylinder (PZ) or bit key adapter set. With night latch function.  
Incl. handle rosette set no. 494.

- backset 40 mm
- rotation 1 turn
- follower 8 mm
- centres 72 mm
- spring-bolt projection 2 mm
- bolt protection 3 mm



Order no.	Case width A [mm]	Closure	C [mm]	E [mm]	F [mm]	Weight [g]
14654	30	PZW	172	24	33,5	1050
17392	40	PZW	173	33	34,0	1200



### Recommendations



No. 424, page 55



No. 55, page 67



## No. 143UNIG

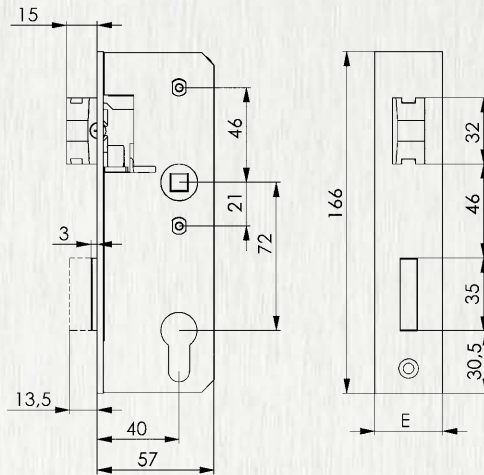
### Lock, zinc-plated

with stainless steel fore-end, polished. Spring bolt and bolt nickel-plated. Can be used for left or right closing by turning the spring bolt. Prepared for profile cylinder (PZ) or bit key adapter set. Night latch function.

- backset 40 mm
- rotation 1 turn
- follower 8 mm
- centres 72 mm
- spring-bolt projection 2 mm
- bolt projection 3 mm



Order no.	for case width [mm]	Closure	E [mm]	Weight [g]
14209	30	PZW	24	530
17384	40	PZW	33	600



### Recommendations



No. 150N, page 76

## No. 141KNIG

### Lock case, empty, V2A

Accessories: handle rosette set no. 494.



Order no.	Case width A [mm]	C [mm]	F [mm]	Weight [g]
14621	30	172	33,5	520
17368	40	173	34,0	650



Subject to technical alterations.

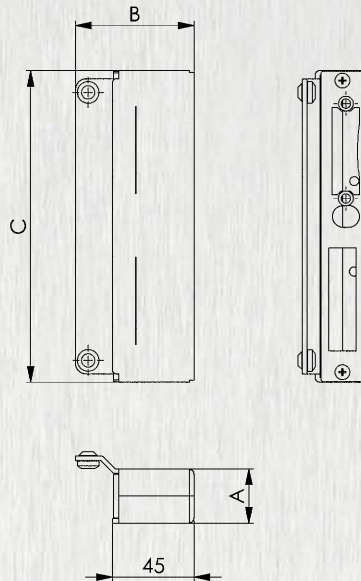
## No. 147BNIG

### Lock casing, V2A

Stainless steel, **polished**, mesh 240.  
For welding. Can be used on left or right.  
Prepared for electric door opener.  
Incl. striking plate, stainless steel.



Order no.	Case width A [mm]	B	C [mm]	Weight [g]
<b>18515</b>	30	65,5	172	560
<b>14597</b>	40	66,0	173	865



### Recommendations



No. 148, page 48

## No. 147NI

### Striking plate, V2A

stainless steel.  
Accessory: 2 stainless steel screws M4x8 mm.



Order no.	for case width [mm]	A [mm]	C [mm]	Material thickness [mm]	Weight [g]
<b>553126</b>	30	24,0	171	3	55
<b>553128</b>	40	33,0	172	3	90

### Application:

Suitable for striking boxes for sliding bolts:

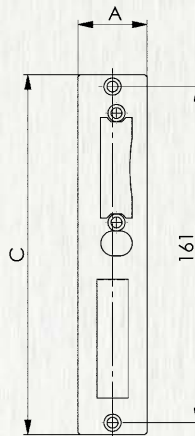
Order no. 553126: 144ETNIG and 147BNIG Case width 30 mm  
Order no. 553128: 144ETNIG and 147BNIG Case width 40 mm

Suitable for cased locks:

Order no. 553126: 140UNIG and 141UNIG Case width 30 mm  
Order no. 553128: 140UNI, 140UNIG and 141UNIG Case width 40 mm

### Note:

These striking plates can be used to advantage if the frame also serves as the „lock casing“. It is then not necessary to create precise recesses for the hook latch and deadbolt.  
The bores for fastening the striking plate in the closing or striking box are centrally arranged.





## No. 140SNIG

### Sliding-door lock case, V2A

Stainless steel, **polished**, mesh 240. With zinc-plated lock no. 142SNIG-\*\*, with stainless steel fore-end, polished. Prepared for profile cylinder (PZ) or bit key adapter set. With night latch function.

Incl. handle rosette no. 494, and 1 locking pin, stainless steel.

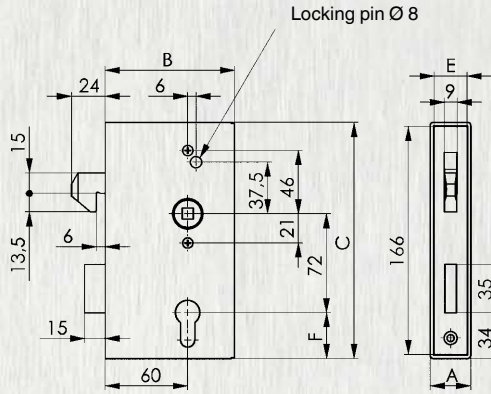
- backset 60 mm
- rotation 1 turn
- follower 8 mm
- centres 72 mm



Order no.	Case width A [mm]	Closure	B [mm]	C [mm]	D [mm]	E [mm]	F [mm]	Material thickness [mm]	Weight [g]
<b>13631</b>	30	PZW	94,0	172	72	24	33,5	2,5	1550
<b>13649</b>	40	PZW	94,5	173	72	33	34,0	3,0	1820

#### Note:

The lock is fastened by a sturdy locating pin in the cased lock, and this retained by a screw from the fore-end face through the latch cut-out. The additional deadbolt option prevents the door being levered out.



#### Recommendations



No. 424, page 55



No. 55, page 67

## No. 142SNIG

### Sliding-door lock, zinc-plated

with stainless steel fore-end V2A, polished. Prepared for profile cylinder (PZ) or bit key adapter set. Night latch function. Incl. 1 locking pin, stainless steel.

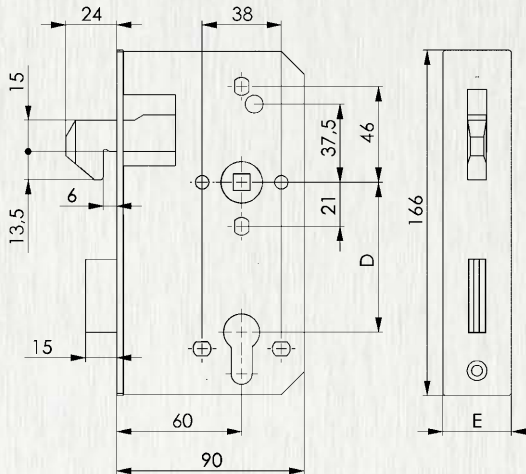
- backset 60 mm
- rotation 1 turn
- follower 8 mm
- centres 72 mm



Order no.	for case width [mm]	Closure	E [mm]	Weight [g]
<b>13656</b>	30	PZW	24	800
<b>13664</b>	40	PZW	33	810

#### Note:

The additional deadbolt option prevents the door being levered out.



## No. 140SKNIG

### Sliding-door lock case, empty, V2A

Accessories: handle rosette set no. 494.

Order no.	Case width A [mm]	C [mm]	F [mm]	Material thickness [mm]	Weight [g]
<b>13672</b>	30	172	33,5	2,5	1000
<b>13680</b>	40	173	34,0	3,0	1000

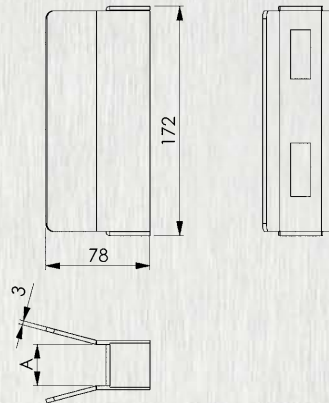
## No. 147SNIG

### Sliding-door lock casing, V2A

Stainless steel, polished, mesh 240. For welding.



Order no.	for case width [mm]	A [mm]	Weight [g]
18598	30	31	775
12914	40	41	830



## No. 147SNIG-XX-06

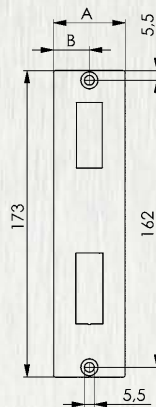
### Sliding gate striking plate, V2A

stainless steel.

Accessory: 2 stainless steel screws M5 x 10 mm.



Order no.	for case width [mm]	A [mm]	B [mm]	Material thickness [mm]	Weight [g]
553125	30	30	15	3,0	95
154815	40	40	20	3,0	100



## No. 49ZNI

### Rim deadlock with angle striking plate, V2A

stainless steel. Die-cast-zinc bolt. Can be used on left or right.

Closure: PZ.

Accessory: PZ roses.

- backset 60 mm

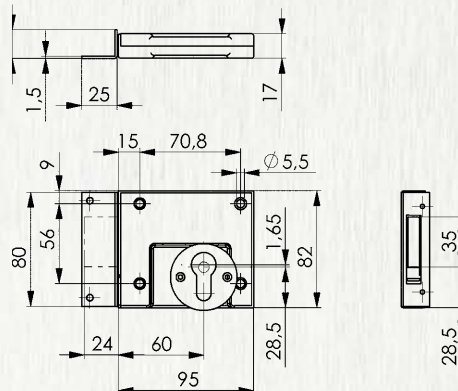
- rotation 2 turns



Order no.	Closure	Backset [mm]	Case depth [mm]	Weight [g]
11312	PZ	60	95	360

#### Note:

Rim deadlock no. 49ZNI is also available fully zinc-plated, see item no. 49.



#### Recommendations



No. 49,  
page 88



No. 55,  
page 67

Subject to technical alterations.



## LOCK CASE PRODUCT RANGE OF QUALITY STEEL

- QUALITY AND SERVICE FROM AMF

- > All parts - including the springs - are corrosion-protected, thereby guaranteeing a long service-life
- > For lock cases no. 140, the spring bolt and dead bolt are available in brass
- > Consistent free movement thanks to precision parts and lubricated mechanical elements
- > Two continuous, movable solid sleeves allow trouble-free, distortion-free installation
- > Lower warehousing costs for our lock cases thanks to right/left conversion of the spring bolt
- > Guaranteed consistent quality standard with strict inspections
- > Shipment ex stock within 24 hours



## No. 141U

### Lock case, bare-metal

with zinc-plated lock no. 143U-\*\*. Can be used for left or right closing by turning the spring bolt. Optionally prepared for profile cylinder (PZ), Swiss round cylinder (RZ) or bit-key adapter set. With night latch function.

Incl. handle rosette set no. 494.

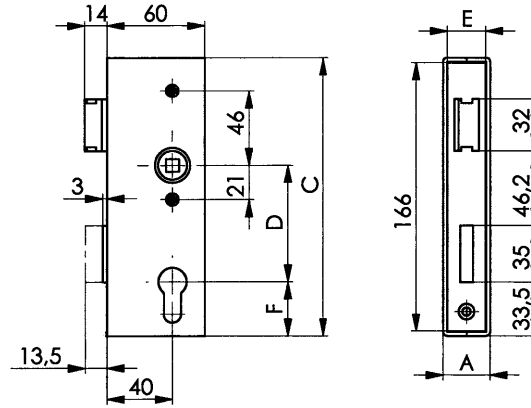
- backset 40 mm
- rotation 1 turn
- follower 8 mm
- centres PZ 72 mm
- centres RZ 74 mm
- spring-bolt projection 2 mm
- bolt protection 3 mm



Order no.	Case width A [mm]	Closure	C [mm]	D [mm]	E [mm]	F [mm]	Material thickness [mm]	Weight [g]
14464	30	PZW	172	72	24	33,5	2,5	1050
14472	30	RZW	172	74	24	31,5	2,5	1050
10629	40	PZW	173	72	33	34,0	3,0	1200
10736	40	RZW	173	74	33	32,0	3,0	1200

### Note:

Classification to DIN EN 12209: 2X500F2EA20



### Recommendations



## No. 143U

### Lock, zinc-plated

can be used on left or right by turning the spring bolt. Optionally prepared for profile cylinder (PZ), Swiss round cylinder (RZ) or bit key adapter set. Night latch function.

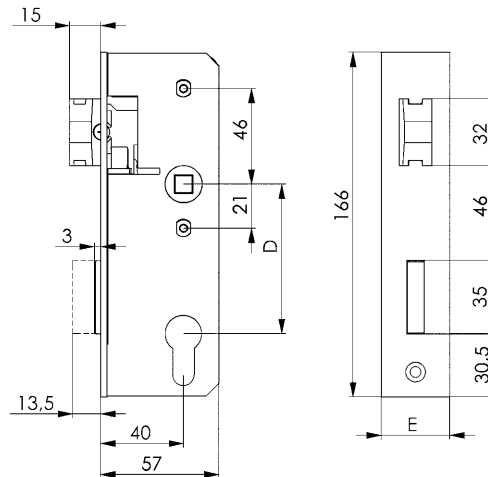
- backset 40 mm
- rotation 1 turn
- follower 8 mm
- centres PZ 72 mm
- centres RZ 74 mm
- spring-bolt projection 2 mm
- bolt projection 3 mm



Order no.	for case width [mm]	Closure	D [mm]	E [mm]	Weight [g]
14241	30	PZW	72	24	550
14290	30	RZW	74	24	550
10645	40	PZW	72	33	570
10751	40	RZW	74	33	570

### Note:

Classification to DIN EN 12209: 2X500F2EA20



### Recommendations



## No. 141K

### Lock case, empty

Accessories: handle rosette set no. 494.

Order no.	Case width A [mm]	Closure	C [mm]	D [mm]	F [mm]	Material thickness [mm]	Weight [g]
13706	30	PZW	172	72	33,5	2,5	500
13714	30	RZW	172	74	31,5	2,5	500
10637	40	PZW	173	72	34,0	3,0	630
10744	40	RZW	173	74	32,0	3,0	630



Subject to technical alterations.

## No. 140U

### Lock case, bare-metal

with zinc-plated lock no. 142U-\*\*. Can be used for left or right closing by turning the spring bolt. Optionally prepared for profile cylinder (PZ), Swiss round cylinder (RZ) or bit-key adapter set. With night latch function.

Zinc die-cast bolt.

Incl. handle rosette set no. 494.

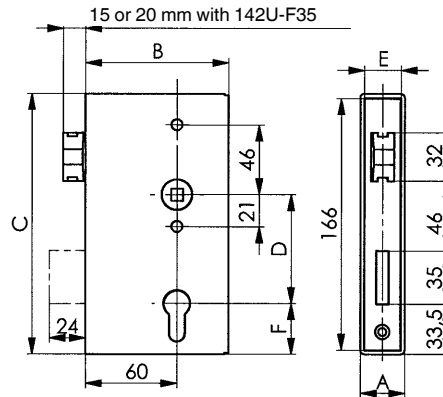
- backset 60 mm
- rotation 2 turn
- follower 8 mm
- centres PZ 72 mm
- centres RZ 74 mm
- spring-bolt projection 3 mm



Order no.	Case width A [mm]	Closure	B [mm]	C [mm]	D [mm]	E [mm]	F [mm]	Material thickness [mm]	Weight [g]
14316	30	PZW	94,0	172	72	24,0	33,5	2,5	1550
14324	30	RZW	94,0	172	74	24,0	31,5	2,5	1550
14340	34	PZW	94,0	172	72	28,5	33,5	2,5	1600
14365	40	PZW	94,5	173	72	33,0	34,0	3,0	1820
14373	40	RZW	94,5	173	74	33,0	32,0	3,0	1820
14381	50	PZW	94,5	173	72	43,0	34,0	3,0	1985
14399	50	RZW	94,5	173	74	43,0	34,0	3,0	1985
16758	60	PZW	94,5	173	72	53,0	34,0	3,0	2000

### Note:

Starting with a case width of 50 mm, we recommend use of the extended spring bolt no. 142U-F35. Classification to DIN EN 12209: 2S500F2EA20



### Recommendations



No. 144ET, page 46



No. 142U-F35, page 66



No. 151C, page 49

## No. 142U

### Lock, zinc-plated

can be used on left or right by turning the spring bolt. Optionally prepared for profile cylinder (PZ), Swiss round cylinder (RZ) or bit key adapter set. Night latch function. Zinc die-cast bolt.

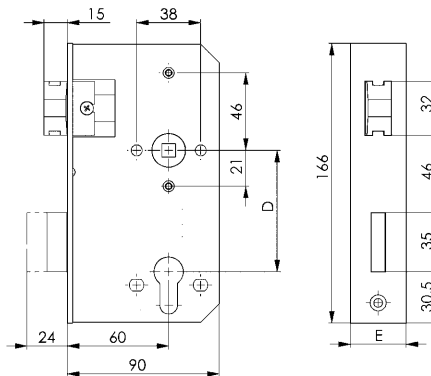
- backset 60 mm
- rotation 2 turns
- follower 8 mm
- centres PZ 72 mm
- centres RZ 74 mm
- bolt projection 3 mm



Order no.	for case width [mm]	Closure	D [mm]	E [mm]	Weight [g]
14167	30	PZW	72	24,0	770
14183	30	RZW	74	24,0	770
14225	34	PZW	72	28,5	780
14266	40	PZW	72	33,0	810
14282	40	RZW	74	33,0	810
14308	50	PZW	72	43,0	830
16774	60	PZW	72	53,0	890

### Note:

Classification to DIN EN 12209: 2S500F2EA20



## No. 140K

### Lock case, empty

Accessories: handle rosette set no. 494.



Order no.	Case width A [mm]	Closure	C [mm]	D [mm]	F [mm]	Material thickness [mm]	Weight [g]
13722	30	PZW	172	72	33,5	2,5	780
13730	30	RZW	172	74	31,5	2,5	780
13748	34	PZW	172	72	33,5	2,5	820
13755	40	PZW	173	72	34,0	3,0	1000
13763	40	RZW	173	74	32,0	3,0	1000
13771	50	PZW	173	72	34,0	3,0	1155
16733	60	PZW	173	72	34,0	3,0	1170

Subject to technical alterations.



## No. 140UM

### Lock case, bare-metal

with zinc-plated lock no. 142UM-\*\*. Brass spring bolt and bolt. Can be used for left or right closing by turning the spring bolt. Prepared for profile cylinder (PZ) or bit key adapter set. With night latch function.

Incl. handle rosette set no. 494.

- backset 60 mm
- rotation 2 turn
- follower 8 mm
- centres 72 mm
- spring-bolt projection 3 mm

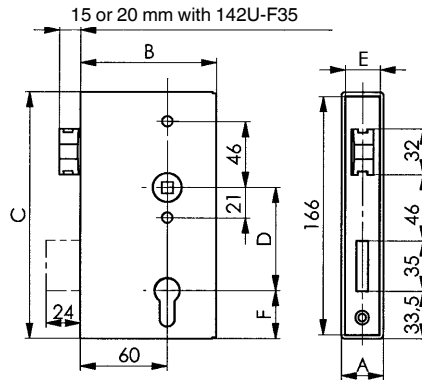


Order no.	Case width A [mm]	Closure	B [mm]	C [mm]	D [mm]	E [mm]	F [mm]	Material thickness [mm]	Weight [g]
10470	30	PZW	94,0	172	72	24	33,5	2,5	1550
10496	40	PZW	94,5	173	72	33	34,0	3,0	1820

### Note:

Spring bolt and deadbolt are made of corrosion-resistant brass and are especially suitable for use in atmospheres contaminated with acids or salt. Thanks to the high tensile strength and hardness of brass, this lock is an ideal solution for frequently-used doors.

### Recommendations



## No. 142UNIG

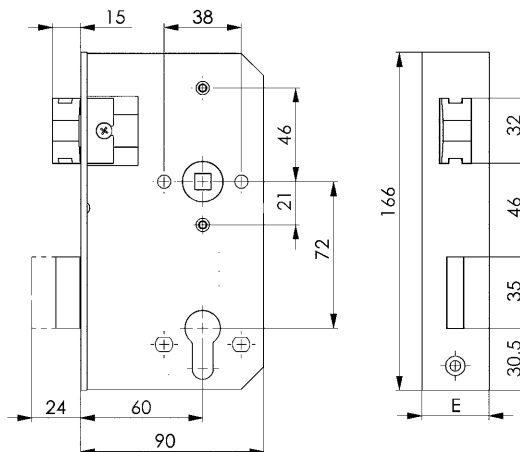
### Lock, zinc-plated

with stainless steel fore-end, polished. Brass spring bolt and bolt. Can be used for left or right closing by turning the spring bolt. Prepared for profile cylinder (PZ) or bit key adapter set. Night latch function.

- backset 60 mm
- rotation 2 turns
- follower 8 mm
- centres 72 mm
- spring-bolt projection 3 mm



Order no.	for case width [mm]	Closure	E [mm]	Weight [g]
14332	30	PZW	24	770
14357	40	PZW	33	810



## No. 140K

### Lock case, empty

Accessories: handle rosette set no. 494.



Order no.	Case width A [mm]	Closure	C [mm]	D [mm]	F [mm]	Material thickness [mm]	Weight [g]
13722	30	PZW	172	72	33,5	2,5	780
13730	30	RZW	172	74	31,5	2,5	780
13748	34	PZW	172	72	33,5	2,5	820
13755	40	PZW	173	72	34,0	3,0	1000
13763	40	RZW	173	74	32,0	3,0	1000
13771	50	PZW	173	72	34,0	3,0	1155
16733	60	PZW	173	72	34,0	3,0	1170

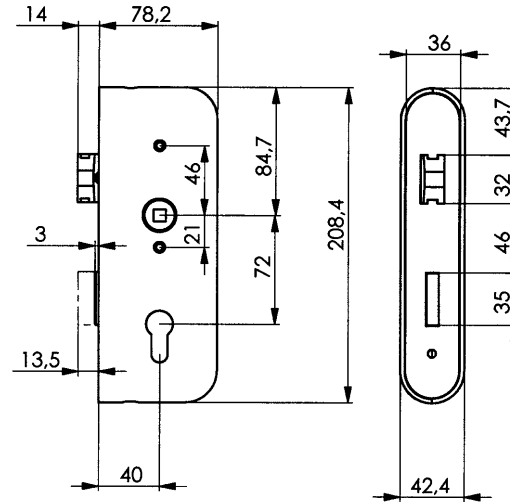
Subject to technical alterations.

## No. 141E

### Lock case, bare-metal

With lock no. 143ENIG, with stainless steel fore-end, polished. Spring bolt and bolt nickel-plated. Can be used for left or right closing by turning the spring bolt. Prepared for profile cylinder (PZ) or bit key adapter set. With night latch function. Incl. handle rosette set no. 494.

- backset 40 mm
- rotation 1 turn
- follower 8 mm
- centres 72 mm
- spring-bolt projection 2 mm
- bolt protection 3 mm



#### Recommendations



No. 475,  
page 56



No. 55,  
page 67

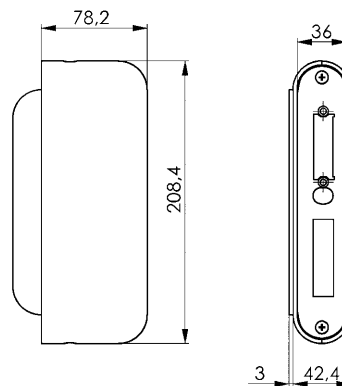
CAD



## No. 146E

### Striking box, bare-metal

Can be used on left or right. Striking plate prepared for electric door opener.



#### Recommendations



No. 148,  
page 48



No. 149TM,  
page 74



No. 151NI,  
page 49

CAD



Subject to technical alterations.



## No. 140DD

### Lock case for triangular and profile cylinders, bare-metal

with zinc-plated lock no. 142DD. Can be used for left or right closing by turning the latch head. Prepared for triangular and profile cylinder (PZ). Without night latch.

Incl. lever rose set no. 494.

- backset 30 and 60 mm
- rotation 1-turn
- spindle 8 mm
- spacing 72 mm



Order no.	Case width A [mm]	Closure	B [mm]	C [mm]	E [mm]	F [mm]	H [mm]	Weight [g]
557056	30	PZ	94	172	24	33,5	33,5	1360
557057	40	PZ	94	173	33	34,0	34,0	2440

### Application:

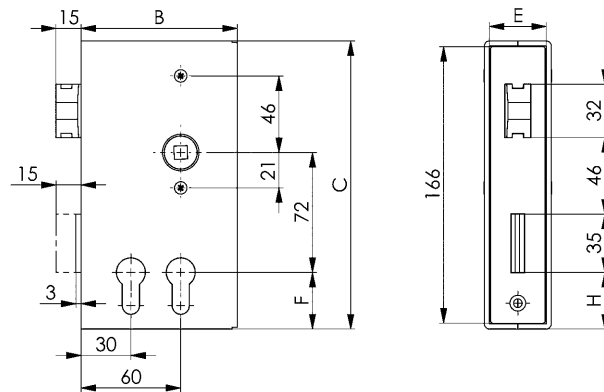
The practical solution when two people (or groups of people) require independent access: for example fire-brigade approaches or waste-container enclosures. The lock case with two cylinders permits access for the fire brigade or disposal companies via triangular socket spanner, and can also be integrated into the normal master-key system.

### Note:

The cylinders can be actuated separately from one another and open or close the bolt. Installation of triangular and profile cylinder without jamming of the lock regardless of key bit position possible when withdrawing the triangular socket spanner.

However, ensuring the following arrangement of triangular and profile cylinder is absolutely essential:

- backset 30 mm: profile cylinder
- backset 60 mm: triangular cylinder



## No. 142DD

### Lock for triangular and profile cylinders, zinc-plated

Can be used for left or right closing by turning the latch head. Prepared for triangular and profile cylinder (PZ). Without night latch.

- backset 30 and 60 mm
- rotation 1-turn
- spindle 8 mm
- spacing 72 mm



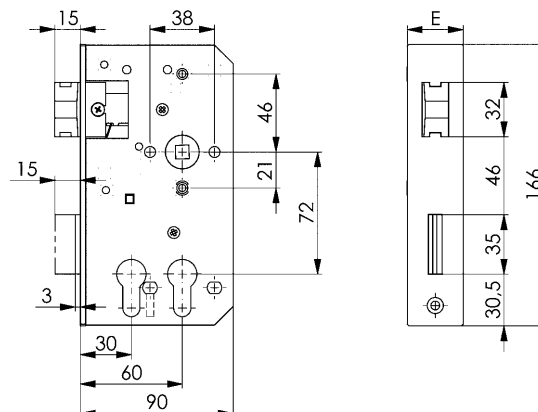
Order no.	for case width [mm]	Closure	E [mm]	Weight [g]
557058	30	PZ	24	620
557060	40	PZ	33	653

### Note:

The cylinders can be actuated separately from one another and open or close the bolt. Installation of triangular and profile cylinder without jamming of the lock regardless of key bit position possible when withdrawing the triangular socket spanner.

However, ensuring the following arrangement of triangular and profile cylinder is absolutely essential:

- backset 30 mm: profile cylinder
- backset 60 mm: triangular cylinder



## No. 140DK

### Lock case for two profile cylinders, empty

Accessories: handle rosette set no. 494.

Order no.	Case width A [mm]	C [mm]	F [mm]	Weight [g]
11197	30	172	33,5	780
14662	40	173	34,0	1000



Subject to technical alterations.

## No. 140D

### Lock case for two profile cylinders, bare-metal

with zinc-plated lock no. 142D-\*\*. Can be used for left or right closing by turning the spring bolt. Prepared for profile cylinder (PZ). With night latch function.

Incl. handle rosette set no. 494.

- backset 30 and 60 mm
- rotation 1 turn
- follower 8 mm
- centres 72 mm



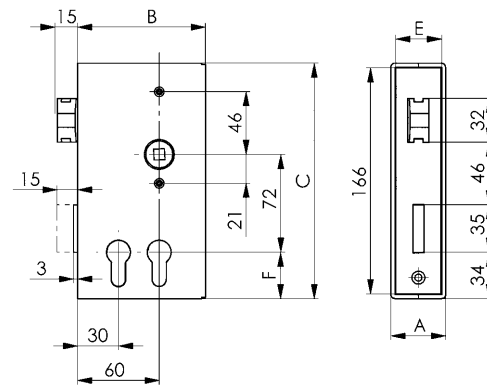
Order no.	Case width A [mm]	Closure	B [mm]	C [mm]	E [mm]	F [mm]	Material thickness [mm]	Weight [g]
11163	30	PZW	94,0	172	24	33,5	2,5	1550
14407	40	PZW	94,5	173	33	34,0	3,0	1820

### Application:

The practical solution when two people (or groups of people) require independent access: for example fire-brigade approaches or waste-container enclosures. The cased lock with two profile cylinders permits access for the fire brigade or disposal companies via general key, and can also be integrated into the normal master-key system.

### Note:

- Installation of two profile cylinders that can be operated independently of one another required
- Cam position up to 45°



### Recommendations



## No. 142D

### Lock for two profile cylinders, zinc-plated

can be used on left or right by turning the spring bolt. Prepared for profile cylinder (PZ). Night latch function.

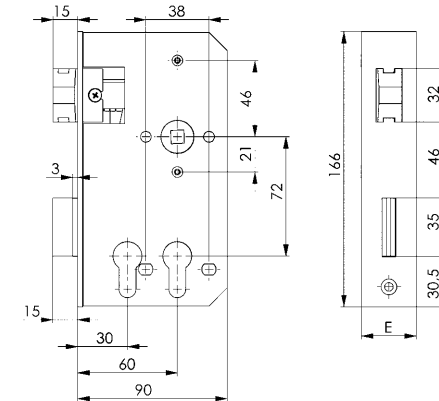
- backset 30 and 60 mm
- rotation 1 turn
- follower 8 mm
- centres 72 mm



Order no.	for case width [mm]	Closure	E [mm]	Weight [g]
11130	30	PZW	24	750
14670	40	PZW	33	800

### Note:

- Installation of two profile cylinders that can be operated independently of one another required
- Cam position up to 45°



### Recommendations



## No. 140DK

### Lock case for two profile cylinders, empty

Accessories: handle rosette set no. 494.

Order no.	Case width A [mm]	C [mm]	F [mm]	Weight [g]
11197	30	172	33,5	780
14662	40	173	34,0	1000



## No. 140V

### Lock case for downward locking, bare-metal

with zinc-plated lock no. 142V. Without spring bolt and bolt. Can be used on left or right. Prepared for profile cylinder (PZ) or bit key adapter set. With night latch function.

Incl. handle rosette set no. 494, 1 adjustable stainless steel bolt, 1 adapter for M10 threaded bar.

- backset 60 mm
- rotation 1 turn
- follower 8 mm
- centres 72 mm

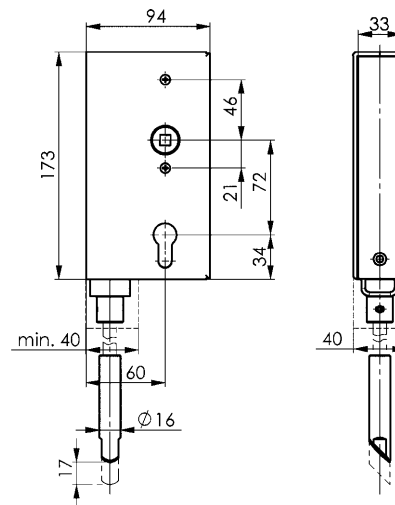
Order no.	Case depth [mm]	Closure	Material thickness [mm]	Weight [g]
10405	40	PZW	3,0	1995

### Application:

This cased lock with downward locking spring bolt is suitable for doors and gates at which a large clearance width is required by a combined fixed/pass-through gate or a wing gate or sliding gate. This lock eliminates the need for a centre post. The vertical movement is achieved via the lever handles or the night latch function.

### Note:

Rectangular tube, M10 studding and ramp shoe are not in our scope of supply.



### Recommendations



No. 465, page 56



Subject to technical alterations.



## No. 140UMV

### Lock case for vertical multipoint locking, bare metal

With zinc-plated lock no. 142UMV, with stainless steel fore-end. Locking at top and bottom possible. Brass spring bolt and bolt. Can be used for left or right closing by turning the spring bolt. Prepared for profile cylinder (PZ) or bit key adapter set. With night latch function.

Incl. handle rosette set no. 494, 2 steplessly adjustable bolts,

- 2 adapters for M10 threaded rod.
- backset 60 mm
- rotation 2 turn
- follower 8 mm
- centres 72 mm

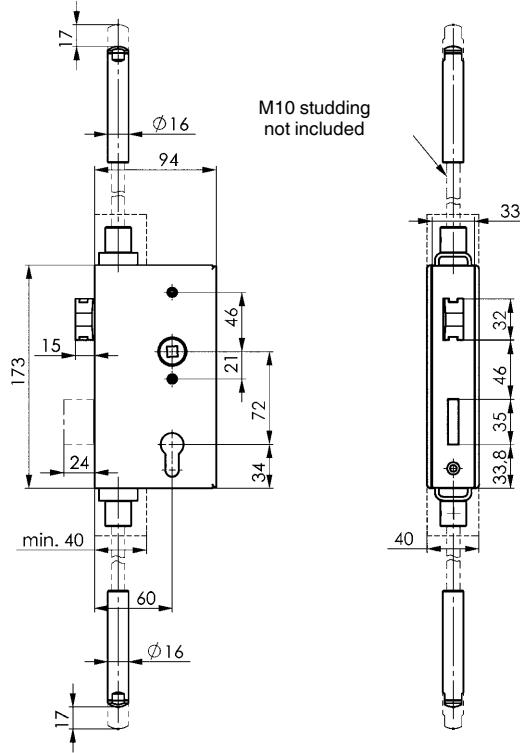
Order no.	Case depth [mm]	Closure	Material thickness [mm]	Weight [g]
13540	40	PZW	3,0	2290

### Application:

The multiple-locking AMF cased lock is ideal for the additional and reliable locking of main and side doors. The vertical lock is achieved via the profile cylinder.

### Note:

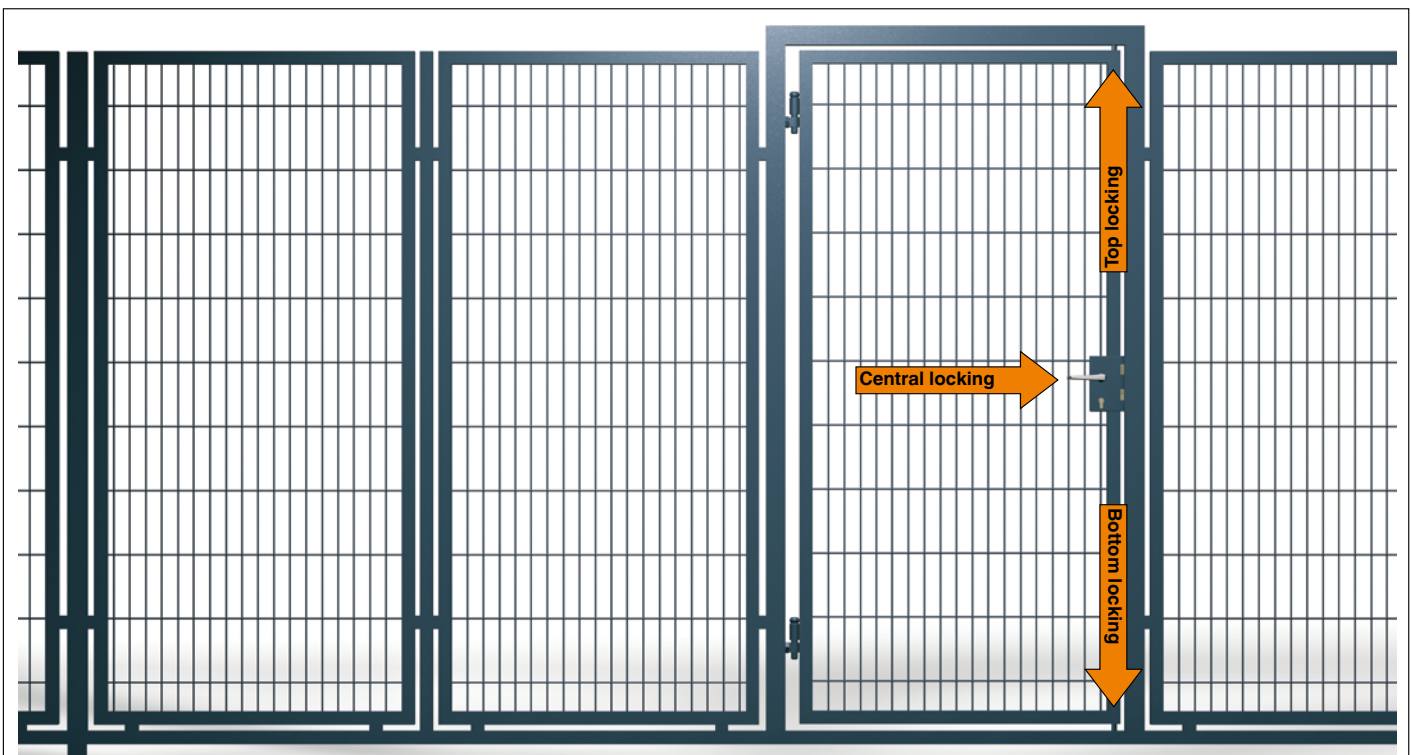
Rectangular tube and M10 studding are not supplied as standard. Studding provided by the customer should not exceed the max. length of 1200 mm each.



### Recommendations



No. 475, page 56



Subject to technical alterations.

## No. 140UMH

### Lock case for horizontal multipoint locking, bare metal

with galvanised lock no. 142UMV, with stainless steel fore-end. Horizontal locking at freely selectable distance from door possible. Brass spring bolt and bolt. Can be used for left or right closing by turning the latch head. Prepared for profile cylinder (PZ) or bit key adapter set. With night latch.

Incl. lever rose set no. 494, 2 angle drives, incl. latch bolt, 2 adapter pieces for studding M10.

- backset 60 mm
- rotation 2-turns
- spindle 8 mm
- spacing 72 mm



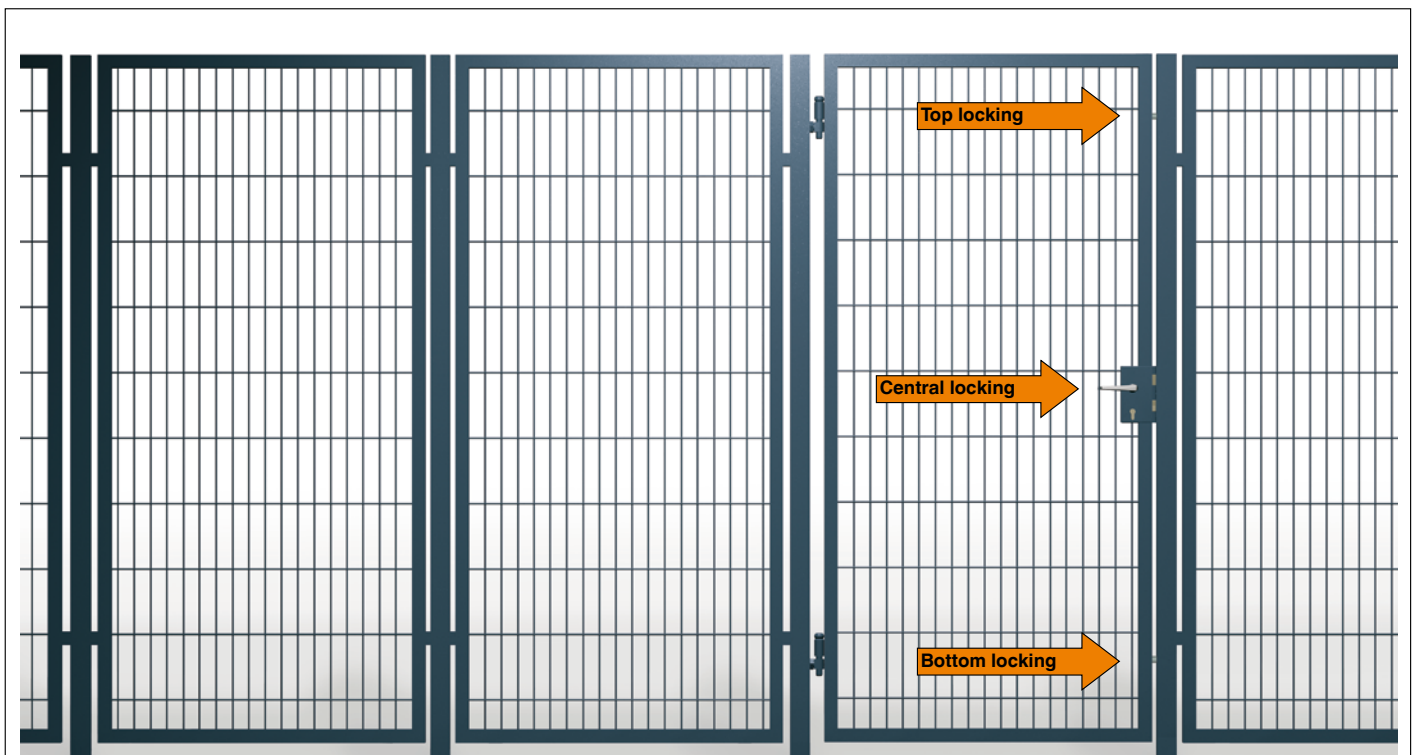
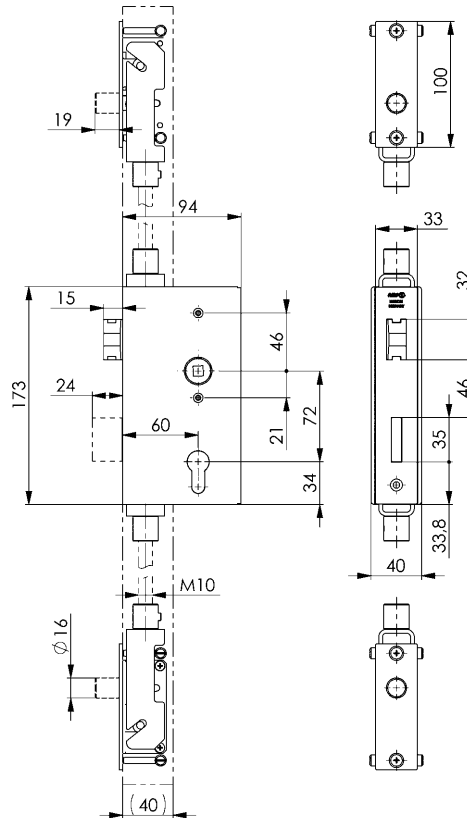
Order no.	Case depth [mm]	Closure	Material thickness [mm]	Weight [g]
557055	40	PZW	3	2800

### Application:

The multiple-locking AMF lock case is ideal for the additional and reliable locking of main and side doors or a fence without a surrounding frame. The horizontal locking is achieved via the profile cylinder.

### Note:

Rectangular pipe profile and M10 studding are not supplied as standard. Studding provided by the customer should not exceed the max. length of 1200 mm each. The lock and the angle drive can be used for pipe profiles of 40x40 to 40x80 mm.



Subject to technical alterations.

**PROTECT YOURSELF!**  
AMF PROTECTION AGAINST BREAK-INS



## ON THE SAFE SIDE – LOCK CASE WITH MULTIPOINT LOCKING

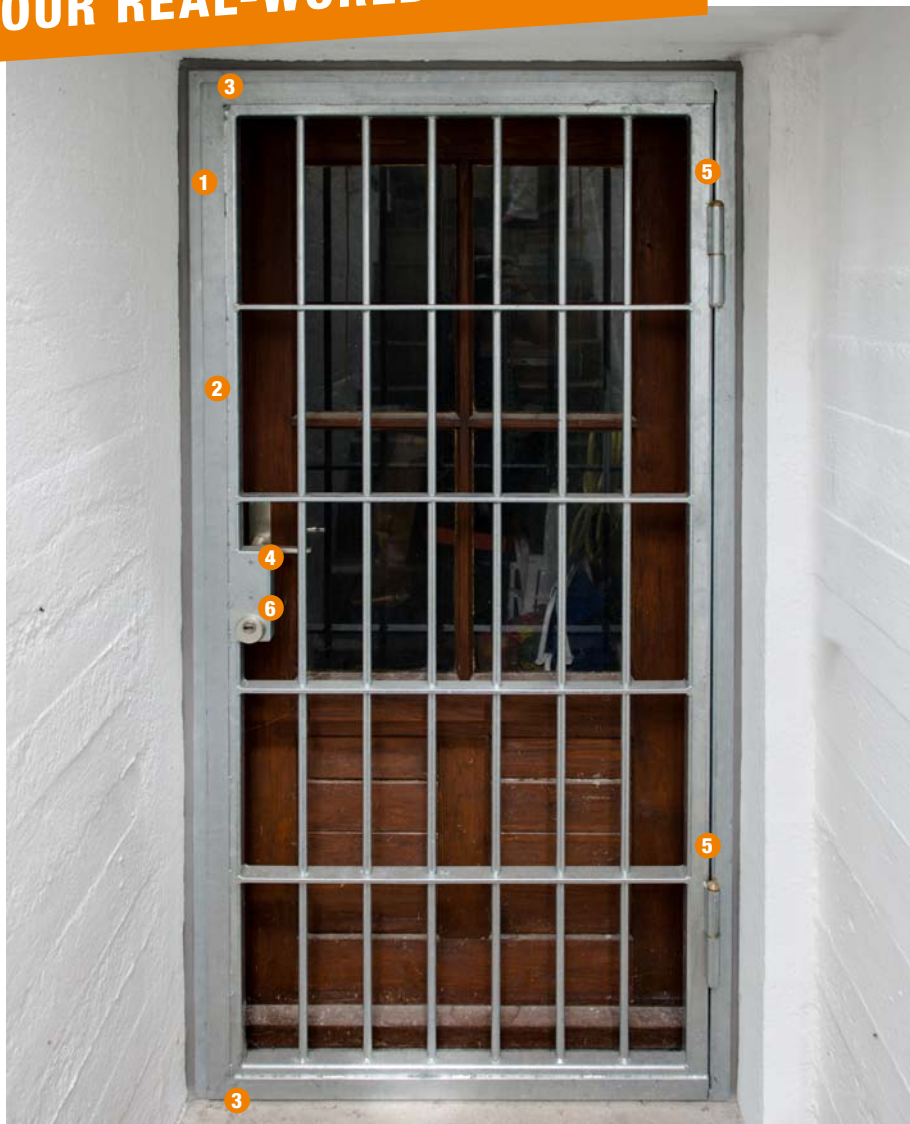
- > Multipoint locking at three locations
- > Bolt projection vertically at top & bottom, 17 mm each, horizontally 24 mm
- > Rugged quality from AMF
- > All parts – even the springs – are corrosion-resistant and in this way guarantee a long working life, stainless steel fore-end
- > DIN left / right closing possible by turning the latch head
- > Brass spring bolt and bolt
- > Wide range of accessories, handle, roses, profile cylinders, etc ...



Subject to technical alterations.



## OUR REAL-WORLD EXAMPLE



A mounted safety lattice door with continuous bars  $\varnothing 18$  mm.  
Planned and built by **Prell & Fink GmbH in Stockdorf**, Tel. 089/899688-0.

WE WILL BE HAPPY  
TO ADVISE YOU!



- 1 The frame of the lattice gate is fastened to the foundation by means of ten fastening holes.



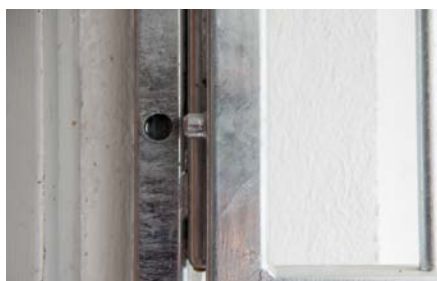
- 2 Stop strip on all sides of door leaf or door frame to make use of a pry bar more difficult.



- 3 Locking at top and bottom through use of lock case no. 140UMV.



- 4 Locking on the side by means of brass spring bolt and bolt through use of lock case no. 140UMV.



- 5 Door hinges with inside protection against levering out at the same height.



- 6 Conical security rose no. 446 with cylinder-draw protection. Protects the cylinder against turning and drilling out.

Subject to technical alterations.



## ANTI-PANIC LOCKS

The anti-panic locks are essentially, in accordance with the legal requirements for escape routes and emergency exits, intended for outwardly opening doors (hinge side contrasted with risk side).

Inwardly opening locks for transit function D (hinge side = hazard side) are available on request.

### No. 140P

#### Lock case, bare-metal

With galvanised anti-panic lock no. 142P-\*\* with stainless steel fore-end, polished. Spring bolt cannot be turned. One-piece follower. Prepared for profile cylinder (PZ). With night latch function.

Incl. handle rosette set no. 494.

- backset 60 mm
- rotation 2 turn
- follower 9 mm
- centres 72 mm
- Function E



14431



CAD

#### Recommendations



No. 491N,  
page 34

Order no.	Case width A [mm]	Closure	Door direction	B [mm]	C [mm]	E [mm]	F [mm]	G [mm]	Material thickness [mm]	Weight [g]
14415	30	PZW	DIN L	94,0	172	24	33,5	8,5	2,5	1550
14423	30	PZW	DIN R	94,0	172	24	33,5	8,5	2,5	1550
14431	40	PZW	DIN L	94,5	173	33	34,0	14,0	3,0	1800
14449	40	PZW	DIN R	94,5	173	33	34,0	14,0	3,0	1800

R = right, L = left

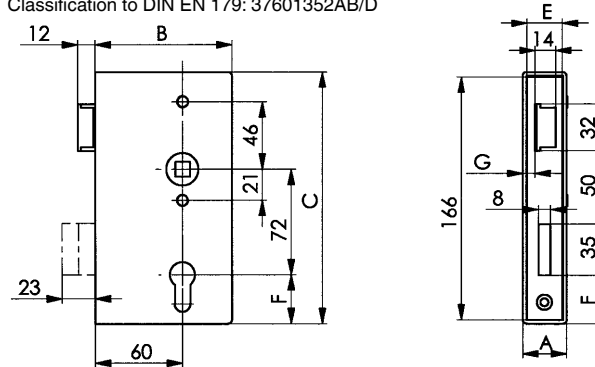
Cased lock, empty, see no. 140K!

#### Application:

Locks with alternative function E and one-piece follower socket. With this lock, the fixed knob on the outside of the door prevents unauthorised access. The door can be opened from outside via the alternative function only using the key. From the inside, the anti-panic function is always available when the door is closed.

#### Note:

Separate supply of locks and fittings when the components must comply with DIN EN 179! Emergency-exit closure systems are safety-relevant products which may be subject to local regulations of the country in which they are installed, e.g. for Germany, they are entered in the Bauregelliste 2003/2 and they require an EU Certificate of Conformity (CE-mark). Classification to DIN EN 179: 37601352AB/D



### No. 142P

#### Anti-panic lock, zinc-plated

With stainless steel fore-end, polished. Spring bolt cannot be turned. One-piece follower. Prepared for profile cylinder (PZ). With night latch function.

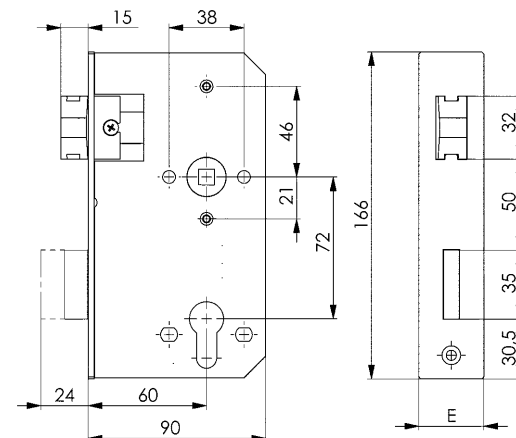
- backset 60 mm
- rotation 2 turns
- follower 9 mm
- centres 72 mm
- Function E



Order no.	for case width [mm]	Closure	Door direction	E [mm]	Weight [g]
14480	30	PZW	DIN L	24	770
14498	30	PZW	DIN R	24	770
14506	40	PZW	DIN L	33	800
14514	40	PZW	DIN R	33	800

R = right, L = left

Cased lock, empty, see no. 140K!



Subject to technical alterations.

## No. 140PGN

### Lock case, bare-metal

With galvanised anti-panic lock no. 142PGN-\*\* with stainless steel fore-end, polished. Spring bolt cannot be turned. Two-piece follower. Prepared for profile cylinder (PZ). Without night latch function.

Incl. handle rosette set no. 494.

- backset 60 mm
- rotation 2 turn
- follower 9 mm
- centres 72 mm
- Funktion D



13375



CAD

#### Recommendations



No. 492N,  
page 34

Order no.	Case width A [mm]	Closure	Door direction	B [mm]	C [mm]	E [mm]	F [mm]	G [mm]	Material thickness [mm]	Weight [g]
13334	30	PZ	DIN L	94,0	172	24	33,5	8,5	2,5	1550
13359	30	PZ	DIN R	94,0	172	24	33,5	8,5	2,5	1550
13375	40	PZ	DIN L	94,5	173	33	34,0	14,0	3,0	1800
13391	40	PZ	DIN R	94,5	173	33	34,0	14,0	3,0	1800

R = right, L = left

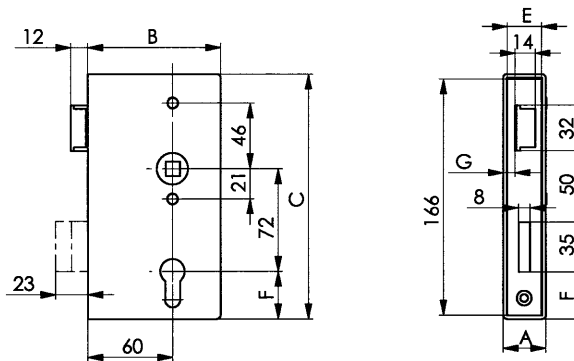
Cased lock, empty, see no. 140K!

### Application:

Lock with access function D and divided follower socket. When the door is unlocked, this lock permits intermittent access from inside and outside. Warning: once the door is locked, access from outside is no longer possible! After being actuated from the inside, however, the door can also be opened from the outside (not self-locking). Rescue measures are not obstructed. From the inside, the anti-panic function is always available when the door is closed.

### Note:

Separate supply of locks and fittings when the components must comply with DIN EN 179! Emergency-exit closure systems are safety-relevant products which may be subject to local regulations of the country in which they are installed, e.g. for Germany, they are entered in the Bauregelliste 2003/2 and they require an EU Certificate of Conformity (CE-mark). Classification to DIN EN 179: 37601352AB/D



## No. 142PGN

### Anti-panic lock, zinc-plated

With stainless steel fore-end, polished. Spring bolt cannot be turned. Two-piece follower. Prepared for profile cylinder (PZ). Without night latch function.

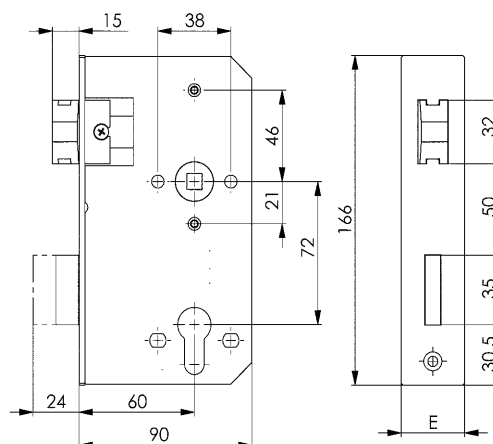
- backset 60 mm
- rotation 2 turns
- follower 9 mm
- centres 72 mm
- Funktion D



Order no.	for case width [mm]	Closure	Door direction	E [mm]	Weight [g]
13417	30	PZ	DIN L	24	770
13433	30	PZ	DIN R	24	770
13458	40	PZ	DIN L	33	800
13474	40	PZ	DIN R	33	800

R = right, L = left

Cased lock, empty, see no. 140K!





## No. 491N

### Furniture set for anti-panic lock

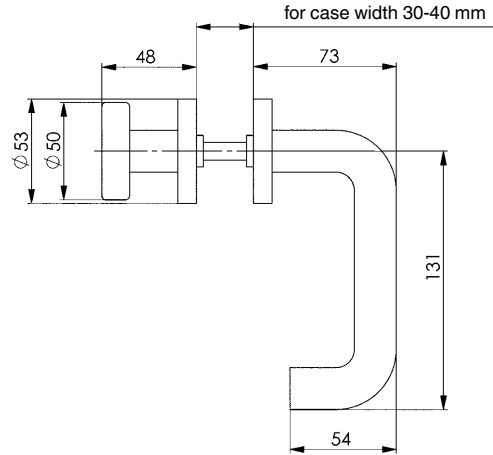
Suitable for lock cases no. 140P.  
Stainless steel, with 9 mm spindle, without cylinder rose.



Order no.	Handle set	Handle, single, female	Weight [g]
553120	●	-	530

#### Note:

Emergency-exit closure systems in accordance with DIN EN 179 must be tested and certified as an assembly of lock and fixture. The product must be used as one assembly. However, tender and delivery can be done separately.



## No. 492N

### Lever set for anti-panic lock

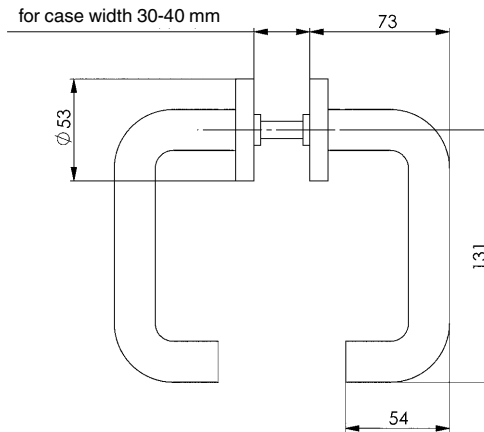
Suitable for lock cases no. 140PGN.  
Stainless steel, with 9 mm split spindle, without cylinder rose.



Order no.	Handle set	Handle, single, female	Weight [g]
553121	●	-	520

#### Note:

Emergency-exit closure systems in accordance with DIN EN 179 must be tested and certified as an assembly of lock and fixture. The product must be used as one assembly. However, tender and delivery can be done separately.



## No. 448

### Cylinder rose set

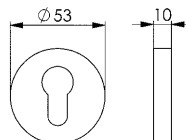
Suitable for use with detachable fitting 491N and lever fitting 492N, stainless steel.



Order no.	Dimension [mm]	Weight [g]
555069	Ø53 x 10	26

#### Note:

Emergency exit closure systems in accordance with DIN EN 179 must be tested and certified as an assembly of lock and fixture. The certified cylinder rose protrudes 2 mm over the lock case.



Subject to technical alterations.

## No. 140PS

### Self-locking lock case

With zinc-plated lock no. 142PS-\*\*, with stainless steel fore-end, ground. Spring bolt cannot be turned.

Prepared for profile cylinder (PZ). With night latch.

Incl. lever rose set no. 494.

- Backset 60 mm
- Spindle 8 mm
- Spacing 72 mm

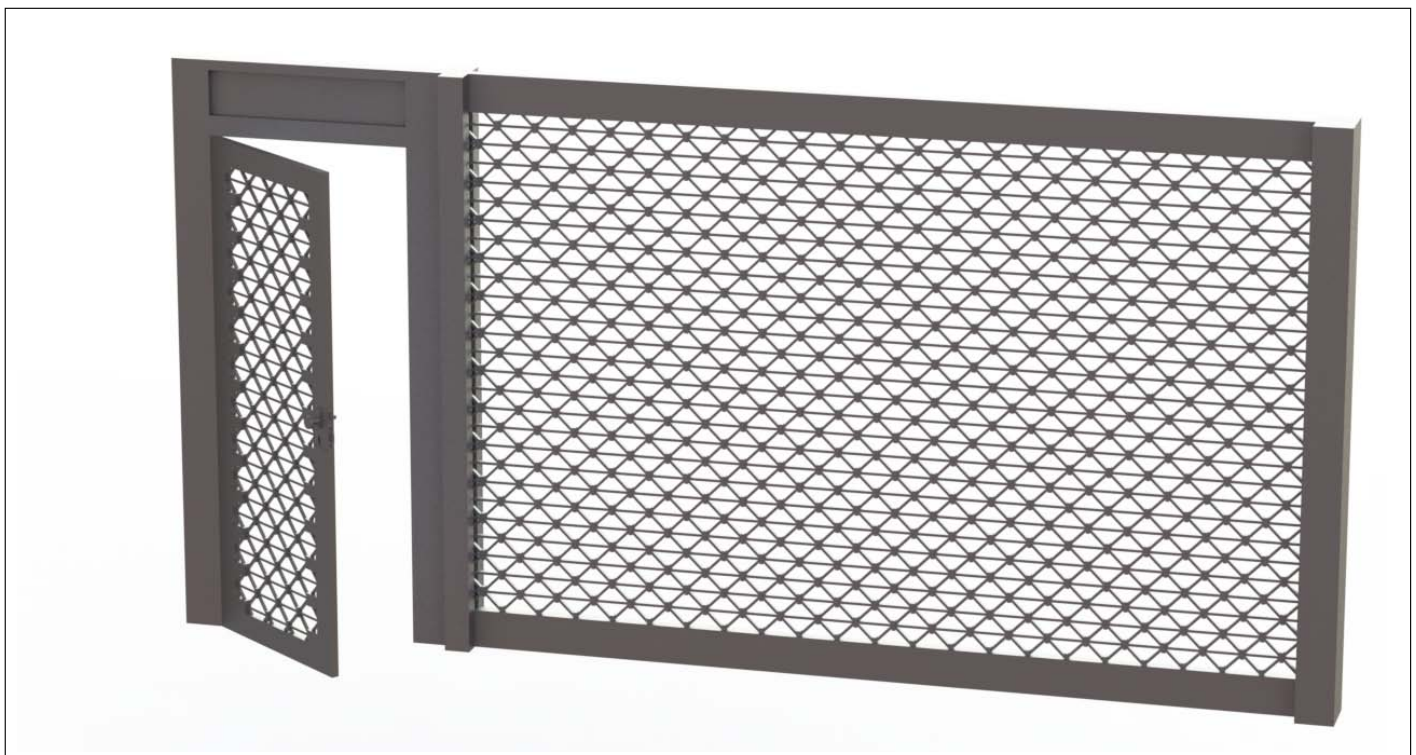
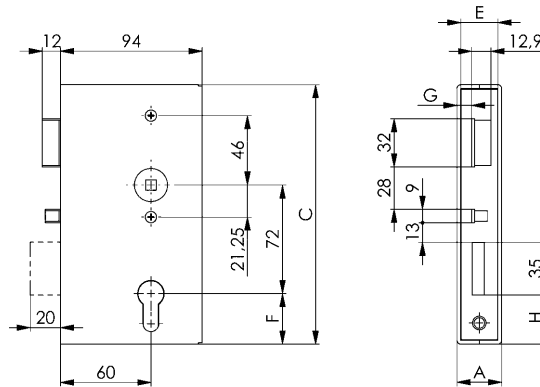
Order no.	Case width A [mm]	Closure	Door direction	C [mm]	E [mm]	F [mm]	G [mm]	H [mm]	Material thickness [mm]	Weight [g]
555070	30	PZW	DIN L	172	24	33,5	9,6	32,5	2,5	1530
555071	30	PZW	DIN R	172	24	33,5	9,6	32,5	2,5	1530
555073	40	PZW	DIN L	173	33	34,0	14,9	33,25	3,0	1800
555077	40	PZW	DIN R	173	33	34,0	14,9	33,25	3,0	1800

### Application:

Mechanically self-locking lock with one-part spindle. The automatic self-locking mechanism ensures secure locking through the deadbolt, as soon as the door closes. With this lock, the fixed knob on the outside of the door prevents unauthorised access. The door can be opened from outside via the night latch function only using the key. From inside, the door basically has to be opened via the door lever even when locked.



555070



Subject to technical alterations.

## No. 142PS

### Self-locking lock, galvanised

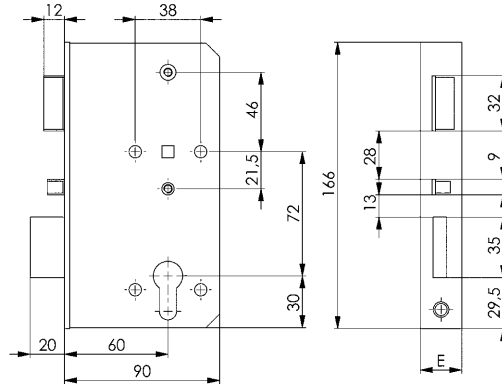
With stainless steel fore-end, ground. Spring bolt cannot be turned.

Prepared for profile cylinder (PZ). With night latch.

- Backset 60 mm
- Spindle 8 mm
- Spacing 72 mm



Order no.	for case width [mm]	Closure	Door direction	E [mm]	Weight [g]
555078	30	PZW	DIN L	24	770
555079	30	PZW	DIN R	24	770
555080	40	PZW	DIN L	33	810
555081	40	PZW	DIN R	33	810



## No. 147NIPS

### Striking plate, V2A

Stainless steel.

Accessories: 2 flat-head screws M4x8 mm, stainless steel.



Order no.	for case width [mm]	A [mm]	Material thickness [mm]	Weight [g]
555043	30	24	3	55
555044	40	36	3	100

### Application:

Suitable for striking boxes for sliding bolts:

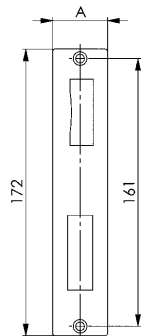
Order no. 555043: 144ET, 146ET, 147, 147B Case width 30 mm

Order no. 555044: 144ET, 146ET, 147, 147A, 147B Case width 40 mm

Suitable for cased locks:

Order no. 555043: 140PS Case width 30 mm

Order no. 555044: 140PS Case width 40 mm







Subject to technical alterations.



## No. 140RD

### Lock case with roller latch rim deadlock for triangular and profile cylinders, bare-metal

with zinc-plated roller latch rim deadlock for triangular and profile cylinder no. 142RD, with stainless steel fore-end. Can be used on left or right. Prepared for triangular and profile cylinder (PZ).

Without night latch.

- backset 30 and 60 mm
- rotation 1-turn
- spacing 72 mm



Order no.	Case width A [mm]	Closure	B [mm]	C [mm]	E [mm]	F [mm]	H [mm]	Weight [g]
557063	30	PZ	94	172	24	33,5	33,5	1470
557066	40	PZ	94	173	33	34,5	34,0	2550

### Application:

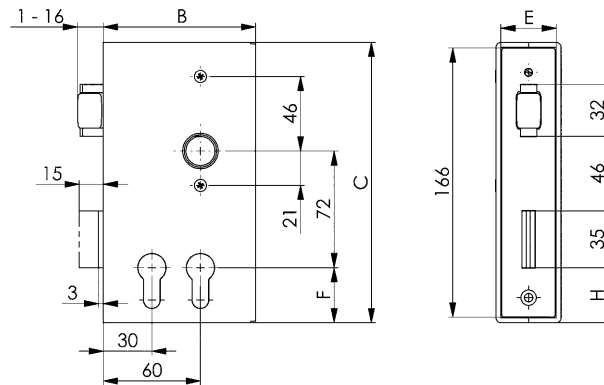
The practical solution when two people (or groups of people) require independent access: for example fire-brigade approaches or waste-container enclosures. The lock case with two cylinders permits access for the fire brigade or disposal companies via triangular socket spanner, and can also be integrated into the normal master-key system. After the bolt is pushed back, the gate can be pushed open easily via the roller latch (stationary hardware recommended).

### Note:

The cylinders can be actuated separately from one another and open or close the bolt. Installation of triangular and profile cylinder without jamming of the lock regardless of key bit position possible when withdrawing the triangular socket spanner.

However, ensuring the following arrangement of triangular and profile cylinder is absolutely essential:

- backset 30 mm: profile cylinder
- backset 60 mm: triangular cylinder



## No. 142RD

### Roller latch rim deadlock for triangular and profile cylinders, zinc-plated

with stainless steel fore-end. Can be used on left or right. Prepared for triangular and profile cylinder (PZ). Without night latch.

- backset 30 and 60 mm
- rotation 1-turn
- spacing 72 mm



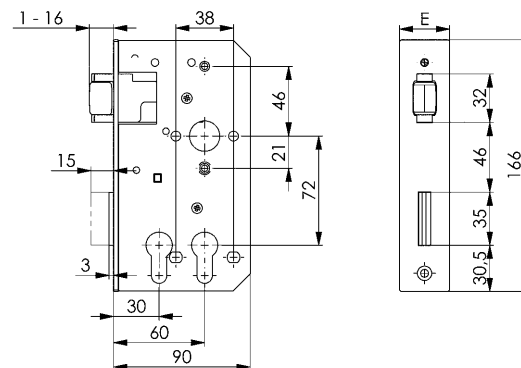
Order no.	for case width [mm]	Closure	E [mm]	Weight [g]
557070	30	PZ	24	728
557072	40	PZ	33	763

### Note:

The cylinders can be actuated separately from one another and open or close the bolt. Installation of triangular and profile cylinder without jamming of the lock regardless of key bit position possible when withdrawing the triangular socket spanner.

However, ensuring the following arrangement of triangular and profile cylinder is absolutely essential:

- backset 30 mm: profile cylinder
- backset 60 mm: triangular cylinder



## No. 140DK

### Lock case for two profile cylinders, empty

Accessories: handle rosette set no. 494.

Order no.	Case width A [mm]	C [mm]	F [mm]	Weight [g]
11197	30	172	33,5	780
14662	40	173	34,0	1000

CAD



Subject to technical alterations.

## No. 140R

### Lock case with roller latch rim deadlock, bare metal

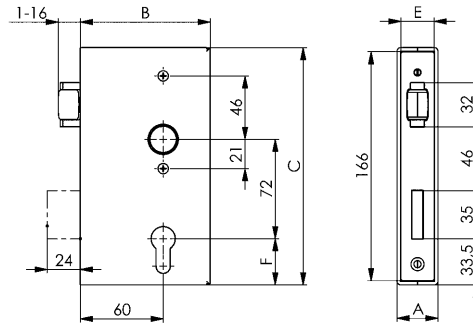
With zinc-plated roller latch rim deadlock no. 142R-\*\*, with stainless steel fore-end. Can be used on left or right. Prepared for profile cylinder (PZ) or bit key adapter set. With night latch function.

- backset 60 mm
- rotation 2 turn
- centres 72 mm

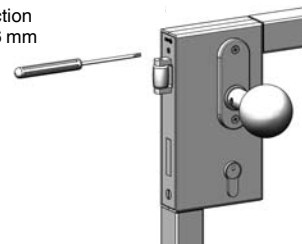


Order no.	Case width A [mm]	Closure	B [mm]	C [mm]	E [mm]	F [mm]	Weight [g]
12864	30	PZW	94,0	172	24	33,5	1550
12880	40	PZW	94,5	173	33	34,5	1820

Cased lock, empty, see no. 140K!



Setting the latch projection  
Adjustment range: 1-16 mm



### Recommendations



No. 486Z,  
page 61



No. 55,  
page 67

## No. 142R

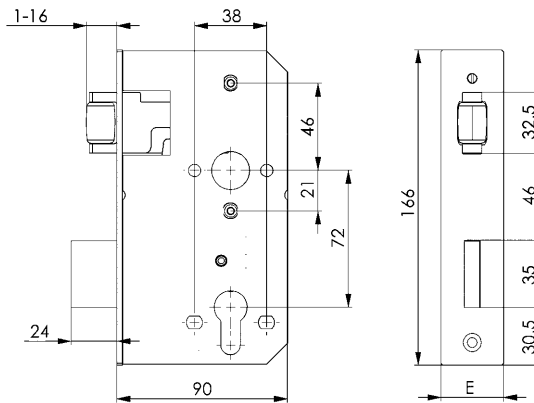
### Roller latch rim deadlock, galvanised

Can be used on left or right. With stainless steel fore-end, prepared for profile cylinder (PZ) or bit key adapter set. Night latch function.

- backset 60 mm
- rotation 2 turns
- centres 72 mm



Order no.	for case width [mm]	Closure	E [mm]	Weight [g]
12906	30	PZW	24	750
12922	40	PZW	33	810



## No. 147RNI

### Striking plate, V2A

stainless steel.

Accessory: 2 stainless steel screws M4x8 mm.



Order no.	for case width [mm]	A [mm]	C [mm]	Material thickness [mm]	Weight [g]
557053	30	24	171	3,0	90
557054	40	33	172	3,0	100

### Application:

Suitable for striking boxes for sliding bolts:

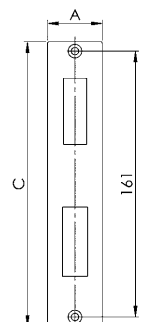
Order no. 557053: 144ET, 146ET, 147, 147B Case width 30 mm

Order no. 557054: 144ET, 146ET, 147, 147A, 147B Case width 40 mm

Suitable for cased locks:

Order no. 557053: 140R, 140RD Case width 30 mm

Order no. 557054: 140R, 140RD Case width 40 mm



Subject to technical alterations.



## No. 140S

### Sliding-door lock case, bare-metal

with zinc-plated lock no. 142S-\*\*. Follower and latch catch made of cast stainless steel. Optionally prepared for profile cylinder (PZ), Swiss round cylinder (RZ) or bit-key adapter set. With night latch function.

Incl. handle rosette no. 494, and 1 locking pin, stainless steel.

- backset 60 mm
- rotation 1 turn
- follower 8 mm
- centres PZ 72 mm
- centres RZ 74 mm



#### Recommendations



No. 147S,  
page 42



No. 418,  
page 56

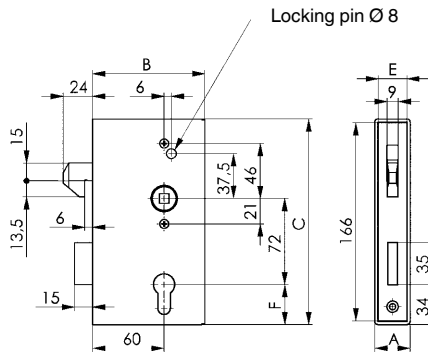


No. 140SNIG,  
page 18

Order no.	Case width A [mm]	Closure	B [mm]	C [mm]	D [mm]	E [mm]	F [mm]	Material thickness [mm]	Weight [g]
13987	30	PZW	94	172	72	24	33,5	2,5	1550
13839	30	RZW	94	172	74	24	31,5	2,5	1550
13995	40	PZW	94	173	72	33	34,0	3,0	1820
13821	40	RZW	94	173	74	33	32,0	3,0	1820
14274	50	PZW	94	173	72	43	34,0	3,0	1960
13961	50	RZW	94	173	74	43	32,0	3,0	1960
16832	60	PZW	94	173	72	53	34,0	3,0	2010

#### Note:

The lock is fastened by a sturdy locating pin in the case, and this retained by a screw from the front face through the latch cut-out. The additional deadbolt option prevents the door being levered out.



## No. 142S

### Sliding-door lock, zinc-plated

Follower and latch catch made of cast stainless steel. Optionally prepared for profile cylinder (PZ), Swiss round cylinder (RZ) or bit key adapter set. Night latch function.

Incl. 1 locking pin

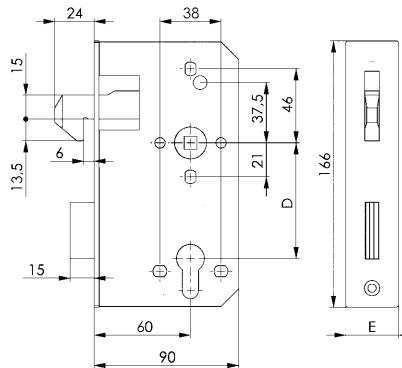
- backset 60 mm
- rotation 1 turn
- follower 8 mm
- centres PZ 72 mm
- centres RZ 74 mm



Order no.	for case width [mm]	Closure	D [mm]	E [mm]	Weight [g]
13789	30	PZW	72	24	800
13797	30	RZW	74	24	800
13805	40	PZW	72	33	830
13813	40	RZW	74	33	830
13847	50	PZW	72	43	870
13946	50	RZW	74	43	870
16816	60	PZW	72	53	880

#### Note:

The additional deadbolt option prevents the door being levered out.



## No. 140SK

### Sliding-door lock case, empty

for sliding-door lock no. 142S.

Accessories: handle rosette set no. 494.



Order no.	Case width A [mm]	Closure	C [mm]	D [mm]	F [mm]	Material thickness [mm]	Weight [g]
14076	30	PZW	172	72	33,5	2,5	780
14084	30	RZW	172	74	31,5	2,5	780
14191	40	PZW	172	72	34,0	3,0	820
14217	40	RZW	172	74	32,0	3,0	1000
14233	50	PZW	173	72	34,0	3,0	1150
14258	50	RZW	173	74	32,0	3,0	1155
16790	60	PZW	173	72	34,0	3,0	1170

Subject to technical alterations.

## No. 140SD

### Sliding-door lock case for two profile cylinders, bare-metal

with zinc-plated lock no. 142SD. Follower and latch catch made of cast stainless steel. Prepared for profile cylinder (PZ). With night latch function.

Incl. handle rosette no. 494, and 1 locking pin, stainless steel.

- backset 30 and 60 mm
- rotation 1 turn
- follower 8 mm
- centres 72 mm



#### Recommendations



No. 147SNIG-XX-06,  
page 19



No. 418,  
page 56



No. 55,  
page 67

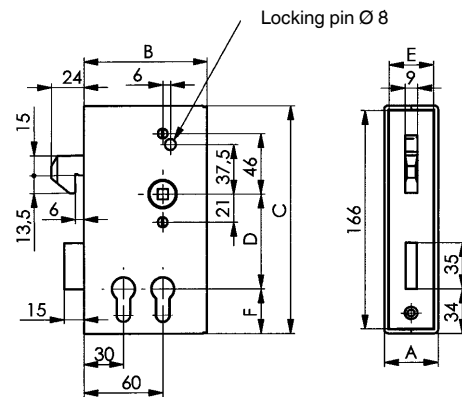
Order no.	Case width A [mm]	Closure	B [mm]	C [mm]	D [mm]	E [mm]	F [mm]	Material thickness [mm]	Weight [g]
16212	40	PZW	94,5	173	72	33	34	3,0	1820

#### Application:

The practical solution when two people (or groups of people) require independent access: for example fire-brigade approaches or waste-container enclosures. The cased lock with two profile cylinders permits access for the fire brigade or disposal companies via general key, and can also be integrated into the normal master-key system.

#### Note:

- Installation of two profile cylinders that can be operated independently of one another required
- Cam position up to 45°



## No. 142SD

### Sliding-door lock for two profile cylinders, zinc-plated

Follower and latch catch made of cast stainless steel. Prepared for profile cylinder (PZ). Night latch function.

Incl. 1 locking pin.

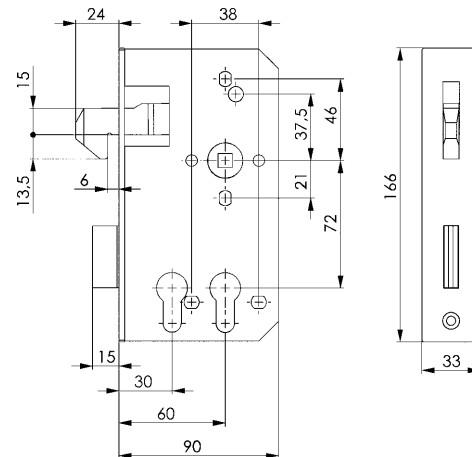
- backset 30 and 60 mm
- rotation 1 turn
- follower 8 mm
- centres 72 mm



Order no.	for case width [mm]	Closure	E [mm]	Weight [g]
16238	40	PZW	33	810

#### Note:

- Installation of two profile cylinders that can be operated independently of one another required
- Cam position up to 45°



## No. 140SDK

### Sliding-door lock case for two profile cylinders, empty

for sliding-door lock no. 142SD.

Accessories: handle rosette set no. 494.

Order no.	Case width A [mm]	Closure	C [mm]	F [mm]	Weight [g]
16220	40	PZW	173	34	1000



## No. 147SNIG-XX-06

### Sliding gate striking plate, V2A

stainless steel.  
Accessory: 2 stainless steel screws M5 x 10 mm.



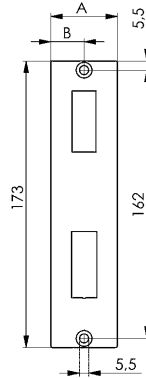
Order no.	for case width [mm]	A [mm]	B [mm]	Material thickness [mm]	Weight [g]
553125	30	30	15	3,0	95
154815	40	40	20	3,0	100

### Application:

Suitable for no. 140S, 142S, 140SD and 142SD.

### Note:

This striking plate can be used to advantage when the frame serves as the sliding bolt. In this case it is not necessary to make precise cut-outs for the latch and deadbolt.



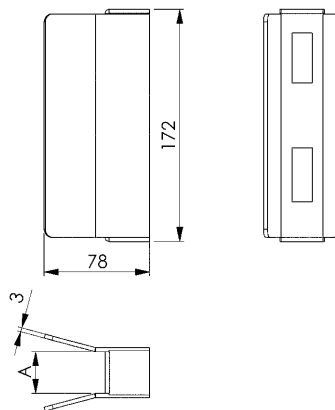
## No. 147S

### Sliding-door lock casing, bare-metal

for welding.



Order no.	for case width [mm]	A [mm]	Weight [g]
14134	30	31	775
14142	40	41	830





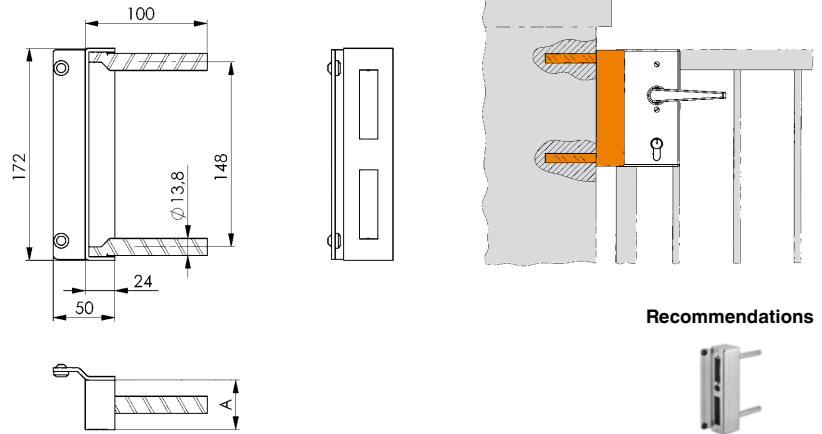
## No. 145

### Lock casing, zinc-plated

for installation by drilling.  
Can be used on left or right.



Order no.	for case width [mm]	A [mm]	Weight [g]
14829	30	30	500
14845	40	40	580



#### Recommendations



No. 147,  
page 47

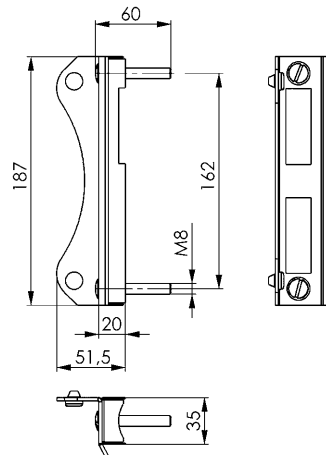
## No. 145A

### Lock casing, zinc-plated

For screwing on.  
Can be used on left or right.



Order no.	for case width [mm]	Weight [g]
16329	30	330
16360	40	350



#### Recommendations



No. 147A,  
page 47



No. 145G,  
page 44

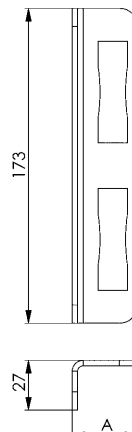
## No. 145W

### Stop

for welding.  
Can be used on left or right.



Order no.	for case width [mm]	A [mm]	Weight [g]
524397	30	36	200
524330	40	45	230



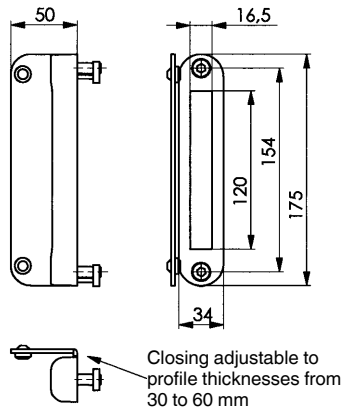
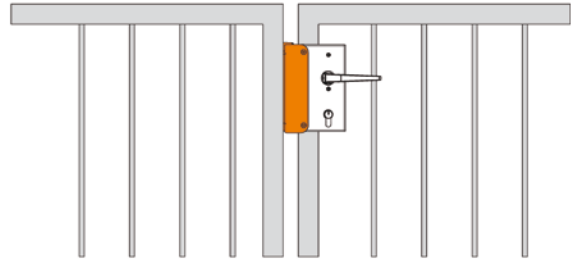
Subject to technical alterations.

## No. 145G

### Lock casing, bare-metal

For screwing on. Housing made of light metal, stop made of stainless steel. Can be used on left or right. For profiles adjustable 30 - 60 mm.  
Incl. installation accessories.

Order no.	for case width	Weight
	[mm]	
12526	30 - 60	650



### Recommendations



No. 147A,  
page 47

CAD

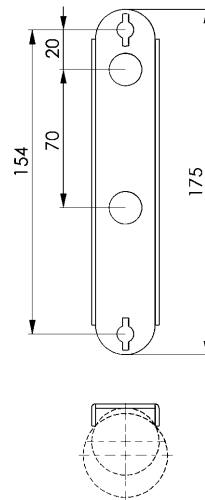


## No. 107G-25

### Round-profile support

from aluminium. Suitable for lock casing 145G.

Order no.	For tubes with outside diameter	Weight
	[mm]	
12542	34 - 60	120

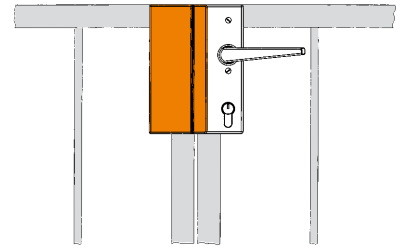
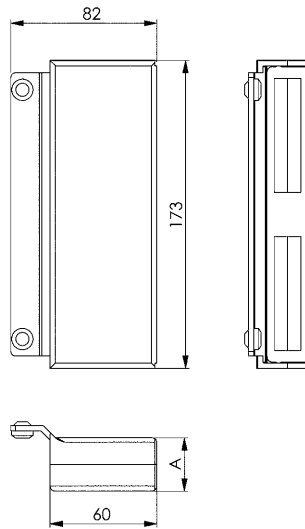


## No. 146GS

### Striking box, bare-metal, narrow

for welding for double gates.  
Can be used on left or right.

Order no.	for case width [mm]	A [mm]	Weight [g]
17954	30	30	784
551708	40	40	922



CAD

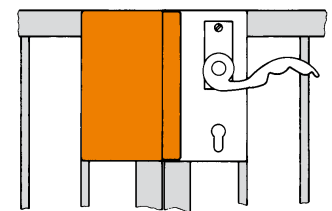
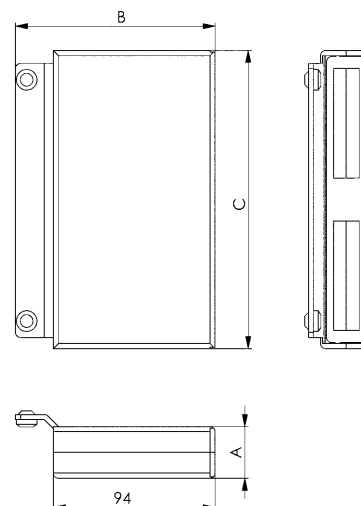


## No. 144GS

### Striking box, bare-metal

for welding for double gates.  
Can be used on left or right.

Order no.	for case width [mm]	A [mm]	B [mm]	C [mm]	Weight [g]
17921	30	30	116	172	1061
17939	40	40	119	173	1269
17947	50	50	119	173	1452



CAD



Subject to technical alterations.

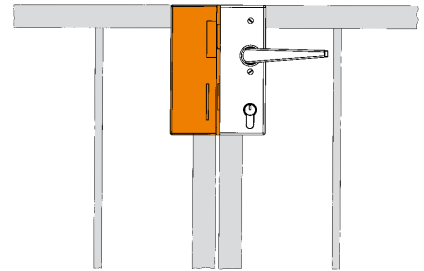
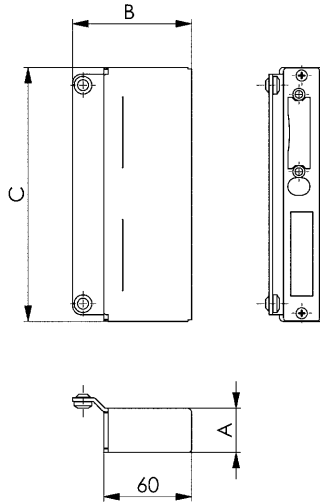


## No. 146ET

### Striking box, bare-metal, narrow

for welding for double gates.  
Can be used on left or right. Prepared for electric door opener.  
Incl. zinc-plated striking plate.

Order no.	for case width [mm]	A [mm]	B [mm]	C [mm]	Weight [g]
14746	30	30	80,5	172	725
10330	40	40	81,0	173	920



#### Recommendations



No. 148, page 48

CAD

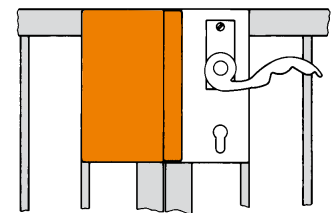
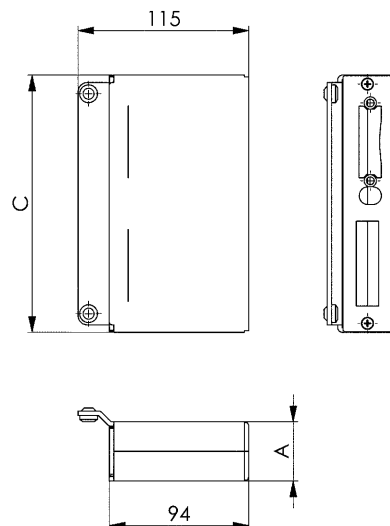


## No. 144ET

### Striking box, bare-metal

for welding for double gates.  
Can be used on left or right. Prepared for electric door opener.  
Incl. zinc-plated striking plate.

Order no.	for case width [mm]	A [mm]	C [mm]	Weight [g]
14704	30	30	172	935
14738	40	40	173	1275
14761	50	50	173	1354
14787	60	60	173	1525



#### Recommendations



No. 151NI, page 49

CAD



Subject to technical alterations.

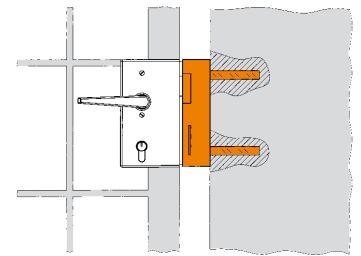
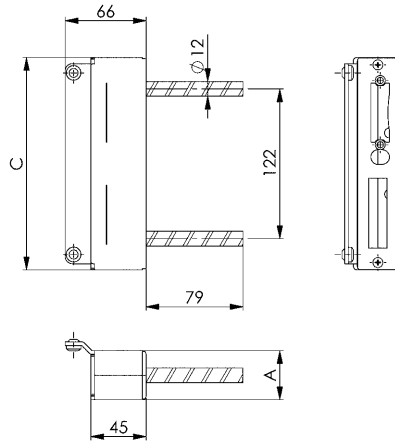
## No. 147

### Lock casing, zinc-plated

for installation by drilling.  
Can be used on left or right. Prepared for electric door opener.  
Incl. zinc-plated striking plate.



Order no.	for case width [mm]	A [mm]	C [mm]	Weight [g]
18655	30	30	172	900
14894	40	40	173	1010
14902	50	50	173	1360



#### Recommendations



No. 145,  
page 43



No. 148,  
page 48

## No. 147A

### Lock casing, zinc-plated

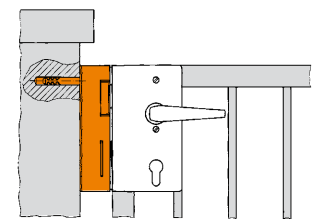
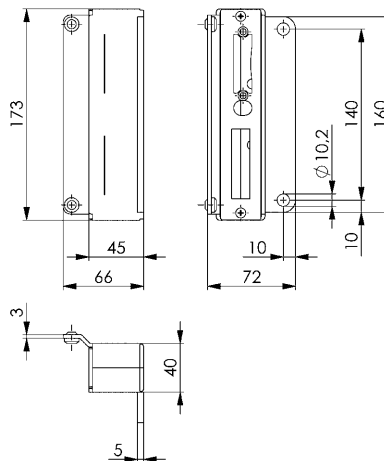
for installation with wall plugs.  
Can be used on left or right. Prepared for electric door opener.  
Incl. zinc-plated striking plate.



Order no.	for case width [mm]	Weight [g]
14977	40	910

#### On request:

Striking box that fits 30 mm case width.



#### Recommendations



No. 144ET,  
page 46



No. 148,  
page 48

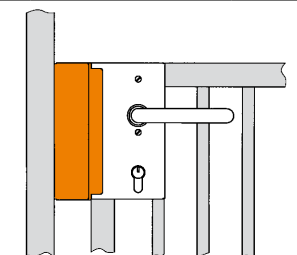
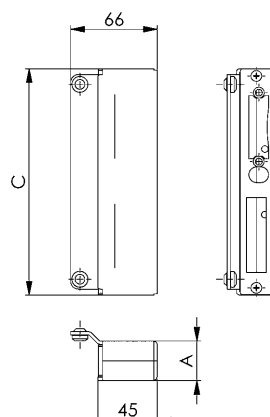
## No. 147B

### Lock casing, bare-metal

for welding.  
Can be used on left or right. Prepared for electric door opener.  
Incl. zinc-plated striking plate.



Order no.	for case width [mm]	A [mm]	C [mm]	Weight [g]
18630	30	30	172	800
14878	40	40	173	865
14852	50	50	173	965



#### Recommendations



No. 146ET,  
page 46



No. 148,  
page 48

Subject to technical alterations.

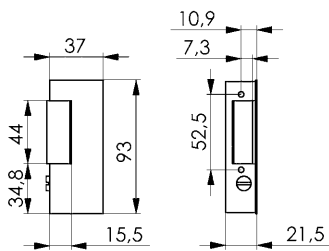
## No. 148

### Electric door-opener

Operating voltage 6-12V. For alternating current (protection class IP65), fail-safe version.



14936/14969



Order no.	Unlatcher	Retainer	Door direction	Weight [g]
14910	-	-	DIN L	310
14928	-	-	DIN R	310
14936	●	-	DIN L	310
14944	●	-	DIN R	310
14969	●	●	DIN L	310
14985	●	●	DIN R	310

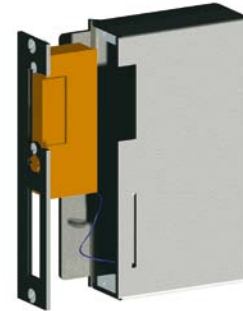
R = right, L = left

#### Application:

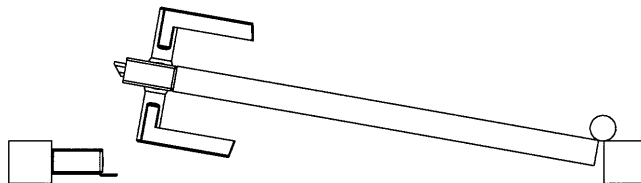
With both the striking box and the cased lock, the electric door-opener is installed from the front. The recesses for the door opener must be cut out in the strike plate, strike box or lock case.

#### On request:

Version without unlocking and without retainer (latching) in closed-circuit design available in 12V or 24V direct current.



#### Example: Door closing DIN L with ET for door direction DIN L



#### Retainer

The retainer keeps the door opener unlatched until the door is opened even after contact is made. Entry is only possible once. The retainer functions by internal electronics. Retaining function for one-off, time-delayed entry.

#### Unlatcher

Unlatching is performed using the adjustment screw and deactivates the door opener function during visiting hours. The door opener spring bolt is movable, the door can be opened and closed as many times as desired.

- Screw slot vertical = free access
- Screw slot horizontal = normal door opener function





## No. 151NI

### Espagnolette, rail-guided

for securing the second door leaf of two-leaf doors.  
Stainless steel, can be used on left or right.  
Suitable for pipe profile from 30x30 mm.

Accessory:

4 stainless steel flat-head screws,  
stainless steel actuator knob,  
bare-metal bolt guide sleeve for latch,  
stainless steel bolt guide sleeve for latch,  
template for marking the aperture,  
installation instructions.



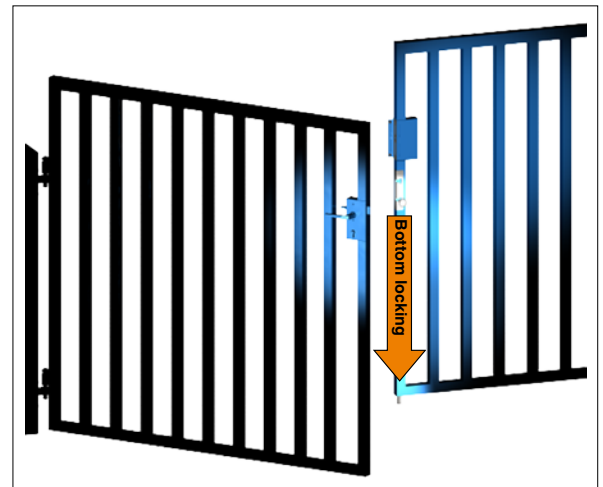
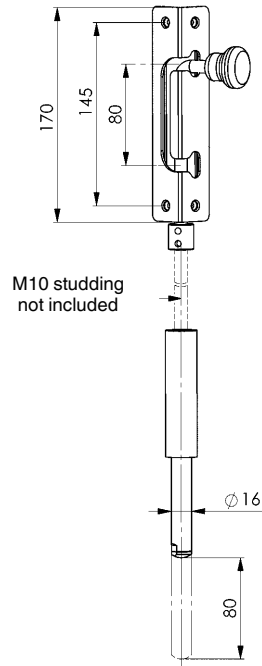
Order no.	Suitable for tube profiles from [mm]	Thickness of the pipe profile [mm]	Weight [g]
11064	30 x 30	2	500

### Application:

This version is particularly resistant to dirt and ice and provides excellent protection against vandalism. The rail-guided movement of the handle prevents the espagnolette from being pushed down to the unlocked position.

### Note:

Rectangular tube and M10 studding are not supplied as standard.



## No. 151C

### Espagnolette, Convenient

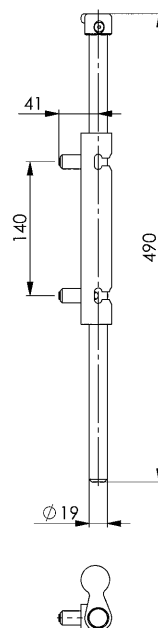
for securing the second door leaf of two-leaf doors.  
Aluminium housing, can be used on right or left.  
Suitable for pipe profiles from 30x30 mm.

Accessory:

2 blind nuts for installation,  
aluminium actuator knob,  
aluminium actuating bolt,  
template for marking the aperture,  
installation instructions.



Order no.	Suitable for tube profiles from [mm]	Thickness of the pipe profile [mm]	Weight [g]
554189	30 x 30	2-3	1510

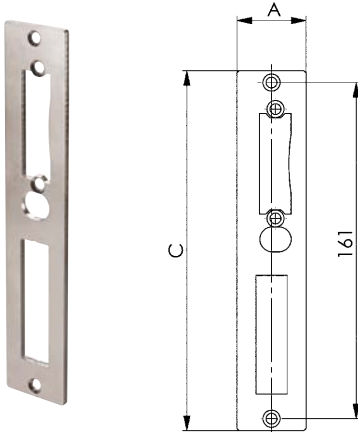


Subject to technical alterations.

## No. 147NI

### Striking plate, V2A

stainless steel.  
Accessory: 2 stainless steel screws M4x8 mm.



Order no.	for case width [mm]	A [mm]	C [mm]	Material thickness [mm]	Weight [g]
553126	30	24,0	171	3	55
553127	-	34,0	172	3	95
553128	40	33,0	172	3	90
553438	42	35,4	172	3	100
553129	50	43,0	172	3	135
553130	60	53,0	172	3	170

#### Application:

Suitable for striking boxes with sliding bolts:  
Order no. 553126: 144ET, 146ET, 147, 147B Case width 30 mm  
Order no. 553128: 144ET, 146ET, 147, 147A, 147B Case width 40 mm  
Order no. 553129: 144ET, 147, 147B Case width 50 mm  
Order no. 553130: 144ET Case width 60 mm

Suitable for cased locks:  
Order no. 553126: 141U, 140U, 140UM, 140D, 140P, 140PGN Case width 30 mm  
Order no. 553127: 140U Case width 34 mm  
Order no. 553128: 141U, 140U, 140UM, 140UMV, 140D, 140P, 140PGN Case width 40 mm  
Order no. 553438: 140UNIG Case width 42,4 mm  
Order no. 553129: 140U Case width 50 mm  
Order no. 553130: 140U Case width 60 mm

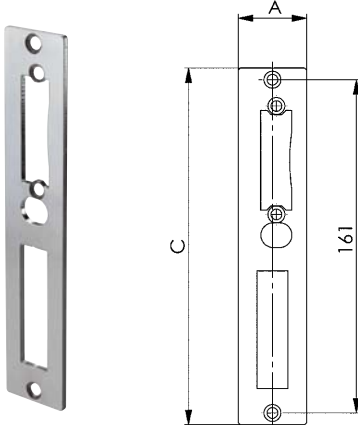
#### Note:

These striking plates can be used to advantage if the frame also serves as the „lock casing“. It is then not necessary to create precise recesses for the hook latch and deadbolt.  
The bores for fastening the striking plate in the closing or striking box are centrally arranged.

## No. 147V

### Striking plate, zinc-plated

Accessory: 2 stainless steel screws M4x8 mm.



Order no.	for case width [mm]	A [mm]	C [mm]	Material thickness [mm]	Weight [g]
553131	30	24	171	3	55
553132	-	34	172	3	95
553133	40	33	172	3	90
553134	50	43	172	3	135
553135	60	53	172	3	170

#### Application:

Suitable for striking boxes with sliding bolts:  
Order no. 553131: 144ET, 146ET, 147, 147B Case width 30 mm  
Order no. 553133: 144ET, 146ET, 147, 147A, 147B Case width 40 mm  
Order no. 553134: 144ET, 147, 147B Case width 50 mm  
Order no. 553135: 144ET Case width 60 mm

Suitable for cased locks:  
Order no. 553131: 141U, 140U, 140UM, 140D, 140P, 140PGN Case width 30 mm  
Order no. 553132: 140U Case width 34 mm  
Order no. 553133: 141U, 140U, 140UM, 140UMV, 140D, 140P, 140PGN Case width 40 mm  
Order no. 553134: 140U Case width 50 mm  
Order no. 553135: 140U Case width 60 mm

#### Note:

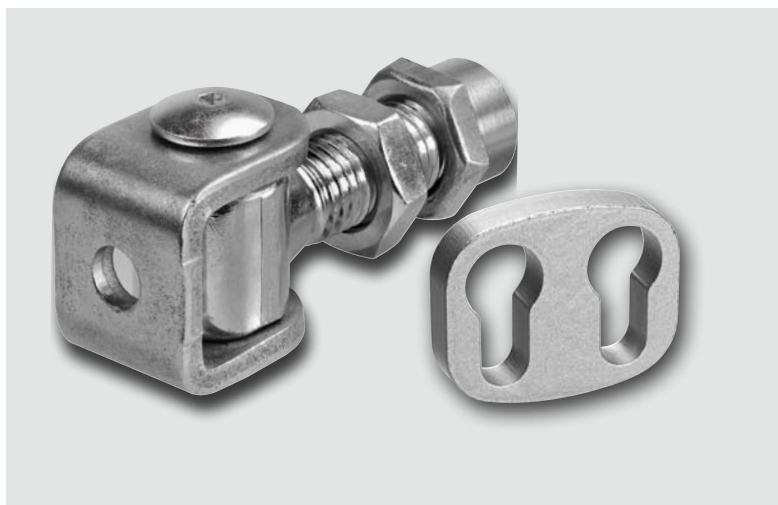
These striking plates can be used to advantage if the frame also serves as the „lock casing“. It is then not necessary to create precise recesses for the hook latch and deadbolt.  
The bores for fastening the striking plate in the closing or striking box are centrally arranged.

## QUALITY THAT OPENS ALL DOORS FOR YOU ...

### SUITABLE LOCK CASE ACCESSORIES

#### ON THE FOLLOWING PAGES YOU WILL FIND:

- > suitable fittings for your lock case or tube-frame lock, whether in round, angular or hammer-finished form, in stainless steel, aluminium or forged steel.
- > suitable accessories for security and protection, for fastening and installation, or simply as replacements and supplements.





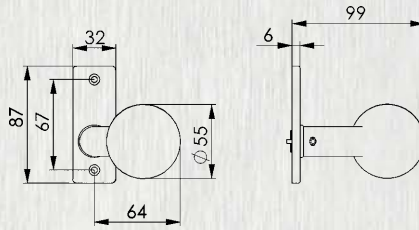
## No. 438

### Door knob, cranked

Stainless steel. Installed on edged furniture rose.  
17269 rigid installation, can be used on left or right  
17194 rigid installation, rotatable  
Incl. 2 stainless steel screws.



Order no.	Fixed	Pivoting	Door knob [mm]	Rose [mm]	Weight [g]
17269	●	-	Ø 55	32 x 87 x 6	220
17194	-	●	Ø 55	32 x 87 x 6	220



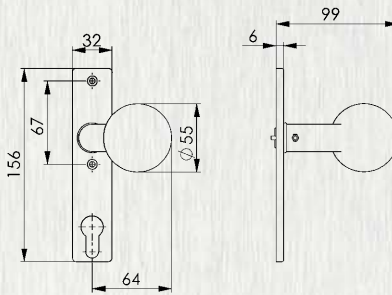
## No. 439

### Door knob, cranked

Stainless steel. Installed on edged short cylinder plate.  
17152 rigid installation, can be used on left or right  
17277 rigid installation, rotatable  
Incl. 2 stainless steel screws.  
Short plate with 72 mm spacing.



Order no.	Fixed	Pivoting	Door knob [mm]	Short plate [mm]	Weight [g]
17152	●	-	Ø 55	32 x 156 x 6	300
17277	-	●	Ø 55	32 x 156 x 6	300



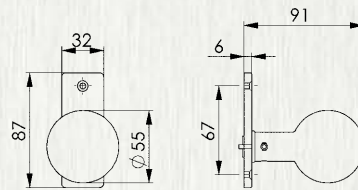
## No. 436

### Door knob, straight

Stainless steel. Installed on edged furniture rose.  
17186 rigid installation,  
16741 rigid installation., rotatable  
Incl. 2 stainless steel screws.



Order no.	Fixed	Pivoting	Door knob [mm]	Rose [mm]	Weight [g]
17186	●	-	Ø 55	32 x 87 x 6	200
16741	-	●	Ø 55	32 x 87 x 6	200



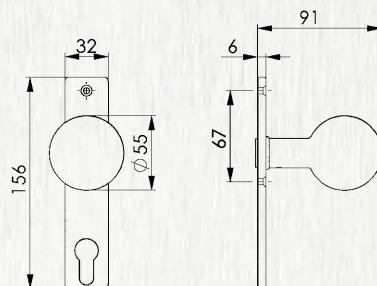
## No. 437

### Door knob, straight

Stainless steel. Installed on edged short cylinder plate.  
17228 rigid installation  
16782 rigid installation, rotatable  
Incl. 2 stainless steel screws.  
Short plate with 72 mm spacing.



Order no.	Fixed	Pivoting	Door knob [mm]	Short plate [mm]	Weight [g]
17228	●	-	Ø 55	32 x 156 x 6	280
16782	-	●	Ø 55	32 x 156 x 6	280



Subject to technical alterations.

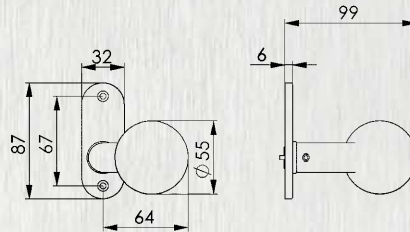
## No. 433

### Door knob, cranked

Stainless steel. Installed on rounded furniture rose.  
17285 rigid installation, can be used on left or right  
17251 rigid installation, rotatable  
Incl. 2 stainless steel screws.



Order no.	Fixed	Pivoting	Door knob [mm]	Rose [mm]	Weight [g]
17285	●	-	Ø 55	32 x 87 x 6	220
17251	-	●	Ø 55	32 x 87 x 6	220



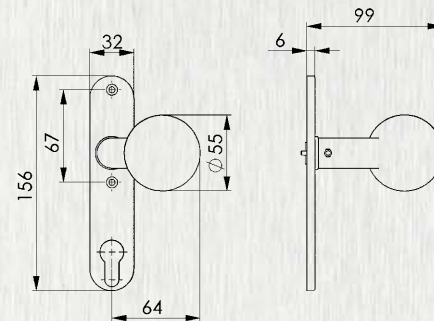
## No. 434

### Door knob, cranked

Stainless steel. Installed on rounded short cylinder plate.  
17178 rigid installation, can be used on left or right  
17012 rigid installation, rotatable  
Incl. 2 stainless steel screws.  
Short plate with 72 mm spacing.



Order no.	Fixed	Pivoting	Door knob [mm]	Short plate [mm]	Weight [g]
17178	●	-	Ø 55	32 x 156 x 6	300
17012	-	●	Ø 55	32 x 156 x 6	300



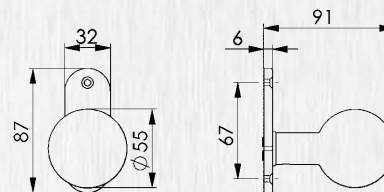
## No. 431

### Door knob, straight

Stainless steel. Installed on rounded furniture rose.  
17202 rigid installation  
16766 rigid installation, rotatable  
Incl. 2 stainless steel screws.



Order no.	Fixed	Pivoting	Door knob [mm]	Rose [mm]	Weight [g]
17202	●	-	Ø 55	32 x 87 x 6	200
16766	-	●	Ø 55	32 x 87 x 6	200



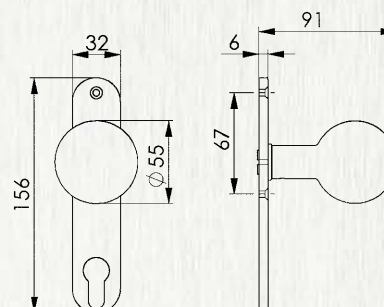
## No. 432

### Door knob, straight

Stainless steel. Installed on rounded short cylinder plate.  
17244 rigid installation  
16808 rigid installation, rotatable  
Incl. 2 stainless steel screws.  
Short plate with 72 mm spacing.



Order no.	Fixed	Pivoting	Door knob [mm]	Short plate [mm]	Weight [g]
17244	●	-	Ø 55	32 x 156 x 6	280
16808	-	●	Ø 55	32 x 156 x 6	280





## No. 426

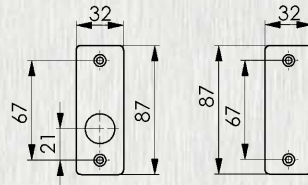
### Handle plate

Stainless steel, angular shape.  
 10660 with bore for lever actuation  
 10652 blind  
 Suitable for all cased locks.  
 Incl. 2 handle plates for Ø16 mm and Ø18 mm levers,  
 2 stainless steel screws.



10660 10652

Order no.	Bore for lever actuation	Dimension	Weight
		[mm]	[g]
10660	●	32 x 87 x 6	120
10652	-	32 x 87 x 6	130



## No. 427Z

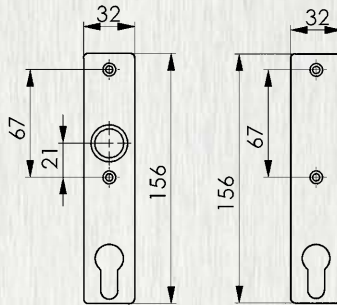
### Short cylinder plate

Stainless steel, angular shape.  
 10686 with bore for lever actuation.  
 10678 blind  
 Suitable for all cased locks.  
 Incl. 2 handle plates for Ø16 mm and Ø18 mm levers,  
 2 stainless steel screws.  
 Short cylinder plate with 72 mm centres.



10686 10678

Order no.	Bore for lever actuation	Dimension	Weight
		[mm]	[g]
10686	●	32 x 156 x 6	200
10678	-	32 x 156 x 6	210



## No. 420

### Handle plate

Stainless steel, rounded shape.  
 15099 with bore for lever actuation  
 15115 blind  
 Suitable for all cased locks.  
 Incl. 2 handle plates for Ø16 mm and Ø18 mm levers,  
 2 stainless steel screws.

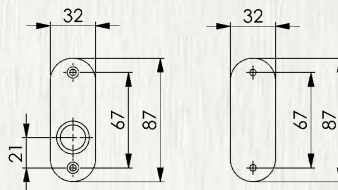


15099 15115

Order no.	Bore for lever actuation	Dimension	Weight
		[mm]	[g]
15099	●	32 x 87 x 6	87
15115	-	32 x 87 x 6	98

#### Note:

For suitable lever and short spindles see item 457 and 481.



## No. 421Z

### Short cylinder plate

Stainless steel, rounded shape.  
 15073 with bore for lever actuation  
 15057 blind  
 Suitable for all cased locks.  
 Incl. 2 handle plates for Ø16 mm and Ø18 mm levers,  
 2 stainless steel screws.  
 Short cylinder plate with 72 mm centres.

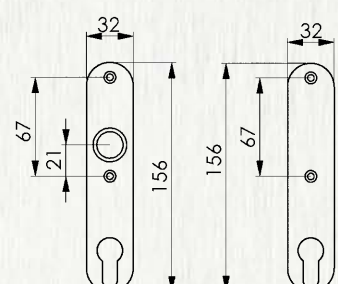


15073 15057

Order no.	Bore for lever actuation	Dimension	Weight
		[mm]	[g]
15073	●	32 x 156 x 6	163
15057	-	32 x 156 x 6	173

#### Note:

For suitable lever and short spindles see item 457 and 481.



Subject to technical alterations.

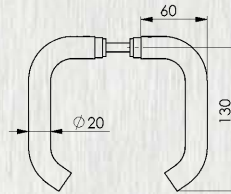


## No. 419

### Lever handles

15651 Lever handles pair, with handle pin  
 15644 Lever handles, single, female  
 Stainless steel, rounded shape, 18 mm guide, 8 mm spindle.

Order no.	Handle set	Handle, single, female	for case width	Weight
			[mm]	[g]
15651	●	-	30 - 50	225
15644	-	●	-	150

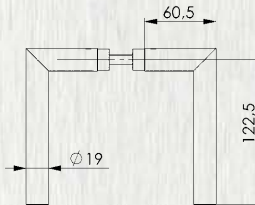


## No. 424

### Lever handles, L-shaped

11288 Lever handles pair, with handle pin  
 11304 Lever handles, single, female  
 Stainless steel, rounded shape, 18 mm guide, 8 mm spindle.

Order no.	Handle set	Handle, single, female	for case width	Weight
			[mm]	[g]
11288	●	-	30 - 60	215
11304	-	●	-	80

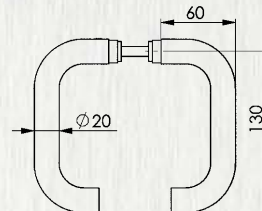


## No. 425

### Lever handles, U-shaped

11437 Lever handles pair, with handle pin  
 15313 Lever handles, single, female  
 Stainless steel, rounded shape, 18 mm guide, 8 mm spindle.

Order no.	Handle set	Handle, single, female	for case width	Weight
			[mm]	[g]
11437	●	-	30 - 50	250
15313	-	●	-	150

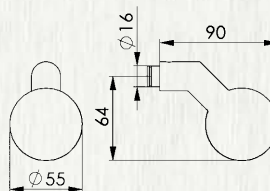


## No. 435

### Door knob, cranked

Stainless steel, rounded shape, 16 mm guide.  
 Incl. 1 handle rosette.

Order no.	Door knob	Weight
	[mm]	[g]
17145	Ø 55	95

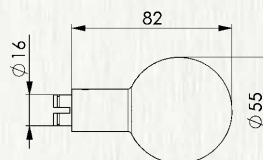


## No. 430

### Door knob, straight

Stainless steel, rounded shape, 16 mm guide.  
 Incl. 1 handle rosette.

Order no.	Door knob	Weight
	[mm]	[g]
17160	Ø 55	75



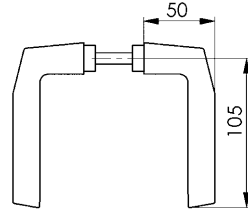
## No. 418

### Lever handles, straight

15388 Lever handles pair, with handle pin  
 15347 Lever handles, single, female  
 Light-alloy, silver-coloured (F1), angular shape, 18 mm guide,  
 8 mm spindle.



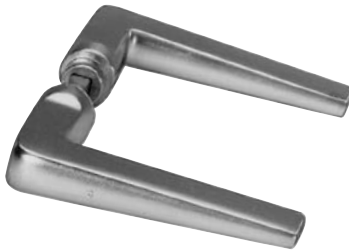
Order no.	Handle set	Handle, single, female	for case width [mm]	Weight [g]
15388	●	-	30 - 50	205
15347	-	●	-	85



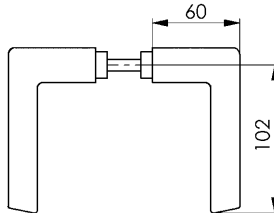
## No. 465

### Lever handles, straight

15420 Lever handles pair, with handle pin  
 15438 Lever handles, single, female  
 Light-alloy, silver-coloured (F1), angular shape, 18 mm guide,  
 8 mm spindle.



Order no.	Handle set	Handle, single, female	for case width [mm]	Weight [g]
15420	●	-	30 - 50	280
15438	-	●	-	115



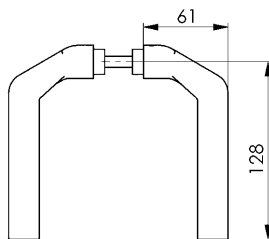
## No. 466

### Lever handles, cranked

15453 Lever handles pair, with handle pin  
 15461 Lever handles, single, female  
 Light-alloy, silver-coloured (F1), angular shape, 18 mm guide,  
 8 mm spindle.



Order no.	Handle set	Handle, single, female	for case width [mm]	Weight [g]
15453	●	-	30	310
15461	-	●	-	135



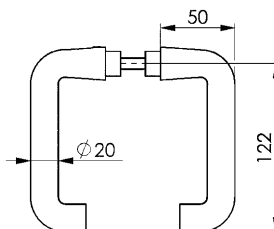
## No. 475

### Lever handles, U-shaped

11395 Lever handles pair, with lever pin  
 15503 Lever handles, single, female  
 Light-alloy, silver-coloured (F1), rounded shape, 18 mm  
 guide, 8 mm spindle.



Order no.	Handle set	Handle, single, female	for case width [mm]	Weight [g]
11395	●	-	30 - 50	300
15503	-	●	-	150

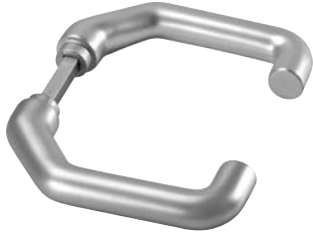


Subject to technical alterations.

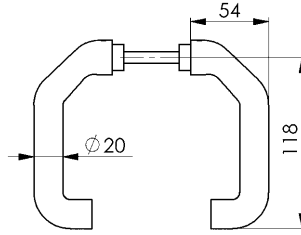
## No. 476

### Lever handles, U-shaped, cranked

11411 Lever handles pair, with lever pin  
 15511 Lever handles, single, female  
 Light-alloy, silver-coloured (F1), rounded shape, 18 mm guide, 8 mm spindle.



Order no.	Handle set	Handle, single, female	for case width	Weight
			[mm]	[g]
11411	●	-	30 - 50	300
15511	-	●	-	150



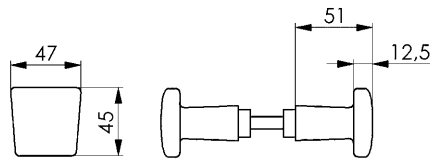
## No. 496

### Door knob pair, straight

15727 Door knob pair, with lever pin  
 15826 Door knob handle, single, female  
 Light-alloy, silver-coloured (F1), angular shape, 18 mm guide, 8 mm spindle.



Order no.	Handle set	Handle, single, female	for case width	Weight
			[mm]	[g]
15727	●	-	30 - 60	270
15826	-	●	-	110



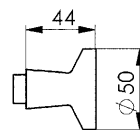
## No. 477L

### Door knob bore set, straight

Light-alloy, silver-coloured (F1), rounded shape, 18 mm guide.



Order no.	Door knob	Weight
	[mm]	[g]
15529	Ø 50	95

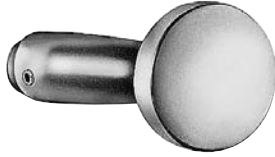




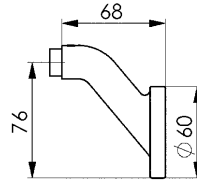
## No. 478L

### Door knob bore set, cranked

Light-alloy, silver-coloured (F1), rounded shape, 18 mm guide.



Order no.	Door knob [mm]	Weight [g]
15537	Ø 60	165



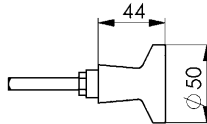
## No. 477W

### Door knob, pivoting

Light-alloy, silver-coloured (F1), rounded shape, 18 mm guide. with rotating short spindle 8x45 mm. Fixed outer knob. For case width 30, 34 and 40 mm.



Order no.	Door knob [mm]	Weight [g]
15669	Ø 50	140



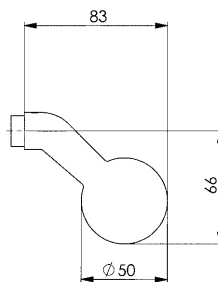
## No. 483L

### Lever handles bore set, cranked

Light-alloy, silver-coloured (F1), rounded shape, 18 mm guide.



Order no.	Door knob [mm]	Weight [g]
16246	Ø 50	220



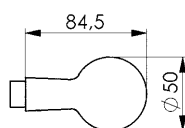
## No. 484L

### Lever handles bore set, straight

Light-alloy, silver-coloured (F1), rounded shape, 18 mm guide.



Order no.	Door knob [mm]	Weight [g]
16279	Ø 50	210

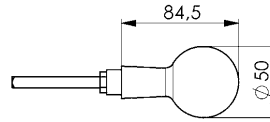


Subject to technical alterations.

## No. 484W

### Door knob, pivoting

Light-alloy, silver-coloured (F1), rounded shape, 18 mm guide.  
With rotating short spindle 8x60 mm. Fixed outer knob. For case width 30-60 mm.

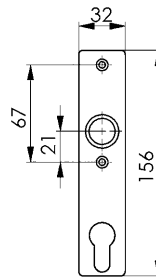


Order no.	Door knob	Weight [g]
	[mm]	
16287	Ø 50	260

## No. 497Z

### Short cylinder plate

Light-alloy, silver-coloured (F1), angular shape, 18 mm guide.  
Suitable for all cased locks.  
Incl. 2 stainless steel screws.  
Short cylinder plate with 72 mm centres.

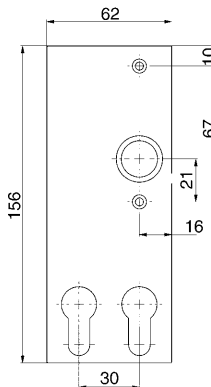


Order no.	Bore for lever actuation	Dimension [mm]	Weight [g]
16022	●	32 x 156 x 7	43

## No. 497DZ

### Short plate for two profile cylinders

Light-alloy, silver-coloured (F1), angular shape, 18 mm guide.  
Suitable for all cased locks with two profile cylinders.  
Incl. 2 stainless steel screws.  
Short cylinder plate with 72 mm centres.  
Both sides usable.



Order no.	Bore for lever actuation	Dimension [mm]	Weight [g]
16295	●	62 x 156 x 7	140

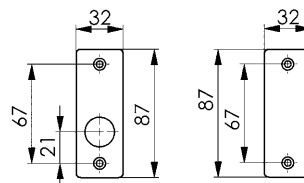
## No. 498

### Handle plate

Light-alloy, silver-coloured (F1), angular shape, 18 mm guide.  
15859 with bore for lever actuation  
15867 blind  
Suitable for all cased locks.  
Incl. 2 stainless steel screws.



15859 15867



Order no.	Bore for lever actuation	Dimension [mm]	Weight [g]
15859	●	32 x 87 x 7	30
15867	-	32 x 87 x 7	33

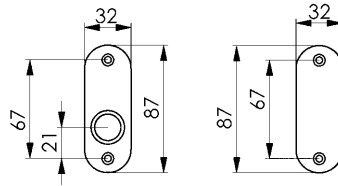
Subject to technical alterations.

## No. 479

### Handle plate

Light-alloy, silver-coloured (F1), rounded shape, 18 mm guide.  
 15545 with bore for lever actuation  
 15560 blind  
 Suitable for all cased locks.  
 2 stainless steel screws.

Order no.	Bore for lever actuation	Dimension	Weight [g]
		[mm]	
15545	●	32 x 87 x 7	30
15560	-	32 x 87 x 7	40

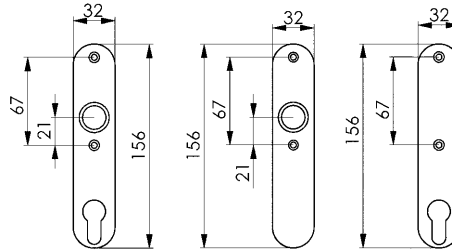


## No. 480

### Short plate

Light-alloy, silver-coloured (F1), rounded shape, 18 mm guide.  
 15552 with bore for lever actuation, with profile cylinder recess  
 15495 with bore for lever actuation  
 15578 with profile cylinder recess  
 Suitable for use with all lock cases.  
 Incl. 2 stainless steel screws.  
 Short cylinder plate with 72 mm spacing.

Order no.	Bore for lever actuation	PZ piercing	Dimension	Weight [g]
			[mm]	
15552	●	●	32 x 156 x 7	60
15495	●	-	32 x 156 x 7	75
15578	-	●	32 x 156 x 7	65

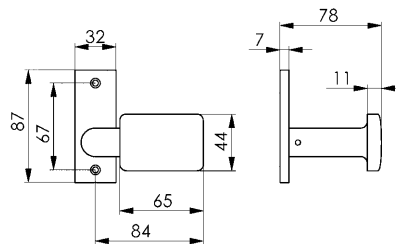


## No. 485

### Door knob, cranked

Light-alloy, silver-coloured (F1). Installed on edged furniture rose.  
 15743 rigid installation, can be used on left or right  
 15768 rigid installation, rotatable  
 Incl. 2 stainless steel screws.

Order no.	Fixed	Pivoting	Door knob	Rose	Weight [g]
			[mm]	[mm]	
15743	●	-	65 x 44	32 x 87 x 7	230
15768	-	●	65 x 44	32 x 87 x 7	230

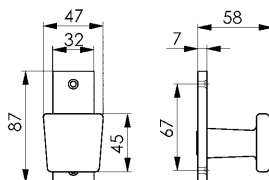


## No. 495

### Door knob, straight

Light-alloy, silver-coloured (F1). Installed on edged furniture rose.  
 15800 rigid installation, can be used on left or right  
 15842 rigid installation, rotatable  
 Incl. 2 stainless steel screws.

Order no.	Fixed	Pivoting	Door knob	Rose	Weight [g]
			[mm]	[mm]	
15800	●	-	47 x 45	32 x 87 x 7	180
15842	-	●	47 x 45	32 x 87 x 7	155



Subject to technical alterations.



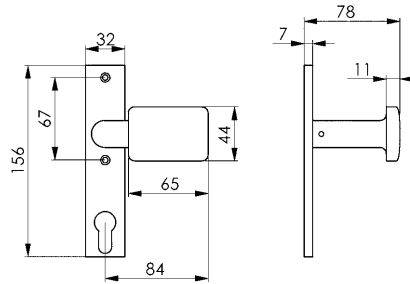
## No. 486Z

### Door knob, cranked

Light-alloy, silver-coloured (F1).  
 Installed on edged short cylinder plate.  
 15701 rigid installation, can be used on left or right  
 15735 rigid installation, rotatable  
 Incl. 2 stainless steel screws.  
 Short plate with 72 mm spacing.



Order no.	Fixed	Pivoting	Door knob [mm]	Short plate [mm]	Weight [g]
15701	●	-	65 x 44	32 x 156 x 7	230
15735	-	●	65 x 44	32 x 156 x 7	230



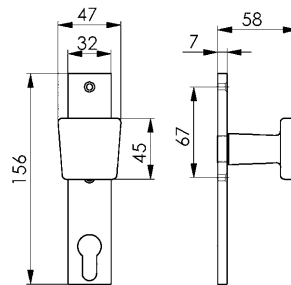
## No. 495Z

### Door knob, straight

Light-alloy, silver-coloured (F1).  
 Rigid installation on angular short cylinder plate.  
 Incl. 2 stainless steel screws.  
 Short cylinder plate with 72 mm centres.



Order no.	Fixed	Pivoting	Door knob [mm]	Short plate [mm]	Weight [g]
16170	●	-	47 x 45	32 x 156 x 7	435



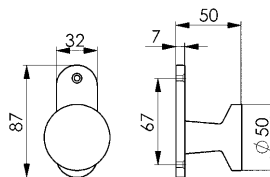
## No. 471

### Door knob, straight

Light-alloy, silver-coloured (F1).  
 Rigid installation on rounded handle plate.  
 Incl. 2 stainless steel screws.



Order no.	Fixed	Pivoting	Door knob [mm]	Rose [mm]	Weight [g]
15586	●	-	Ø 50	32 x 87 x 7	140



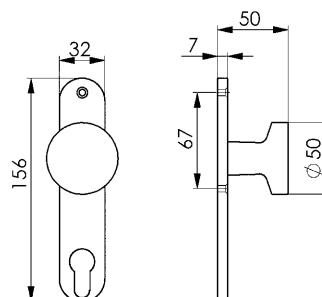
## No. 472Z

### Door knob, straight

Light-alloy, silver-coloured (F1).  
 Rigid installation on rounded short cylinder plate.  
 Incl. 2 stainless steel screws.  
 Short cylinder plate with 72 mm centres.



Order no.	Fixed	Pivoting	Door knob [mm]	Short plate [mm]	Weight [g]
15594	●	-	Ø 50	32 x 156 x 7	170



Subject to technical alterations.

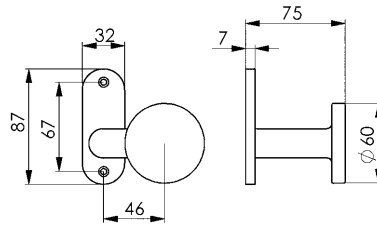
## No. 473

### Door knob, cranked

Light-alloy, silver-coloured (F1). Rigid installation on rounded handle plate. Can be used on left or right.  
Incl. 2 stainless steel screws.



Order no.	Fixed	Pivoting	Door knob [mm]	Rose [mm]	Weight [g]
15602	●	-	Ø 60	32 x 87 x 7	210



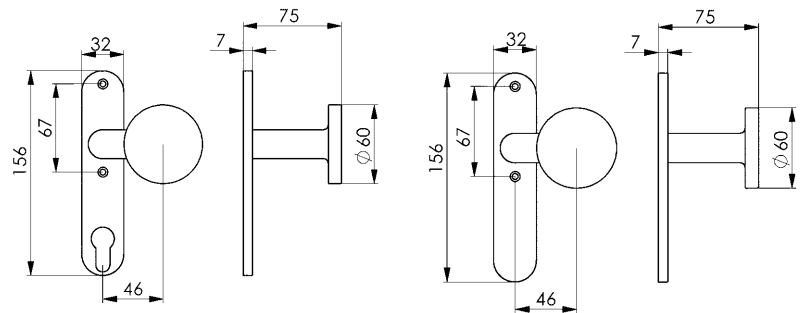
## No. 474Z

### Door knob, cranked

Light-alloy, silver-coloured (F1). Rigid installation on rounded short cylinder plate.  
15628 with profile cylinder recess  
15693 without profile cylinder recess  
Convertible right/left.  
Incl. 2 stainless steel screws.  
Short plate with 72 mm spacing.



Order no.	PZ piercing	Door knob [mm]	Short plate [mm]	Weight [g]
15628	●	Ø 60	32 x 156 x 7	235
15693	-	Ø 60	32 x 156 x 7	245



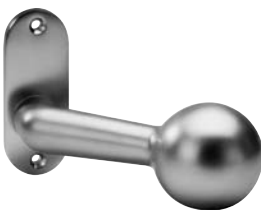
15628

15693

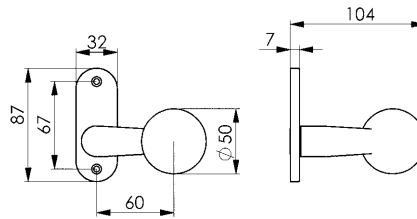
## No. 483

### Door knob, cranked

Light-alloy, silver-coloured (F1). Rigid installation on rounded handle plate. Can be used on left or right.  
Incl. 2 stainless steel screws.



Order no.	Fixed	Pivoting	Door knob [mm]	Rose [mm]	Weight [g]
16253	●	-	Ø 50	32 x 87 x 7	300



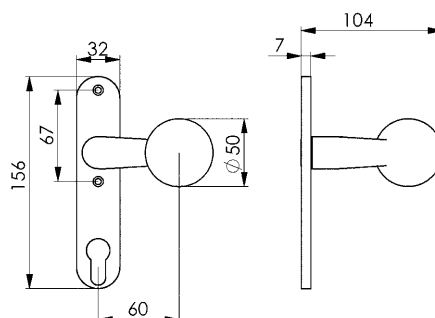
## No. 483Z

### Door knob, cranked

Light-alloy, silver-coloured (F1). Rigid installation on rounded short cylinder plate.  
Can be used on left or right  
Incl. 2 stainless steel screws.  
Short cylinder plate with 72 mm centres.



Order no.	Fixed	Pivoting	Door knob [mm]	Short plate [mm]	Weight [g]
16261	●	-	Ø 50	32 x 156 x 7	340



Subject to technical alterations.

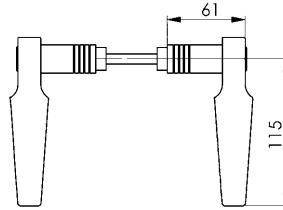
## No. 460G

### Lever pair, dovetail-shaped

Wrought iron, zinc-plated, angular shape, 18 mm guide, 8 mm spindle.  
With lever pin



Order no.	Handle set	Handle, single, female	for case width [mm]	Weight [g]
15305	●	-	30 - 50	775



## No. 417GR

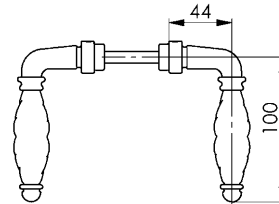
### Lever handles, straight

Light-alloy (F1), powder-coated (RAL 9005: Black), rounded shape, 18 mm guide, 8 mm spindle.  
With lever pin



Order no.	Handle set	Handle, single, female	for case width [mm]	Weight [g]
15479	●	-	30 - 50	310

Ex stock subject to being unsold.



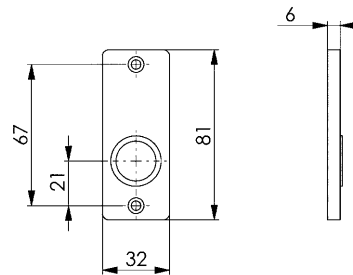
## No. 451

### Spindle rose

Forged, hammer-finish, zinc-plated, stove-enamelled black, angular shape, 19 mm guide.  
Suitable for all cased locks.  
Incl. 2 stainless steel screws.  
Bore centres: 67 mm.



Order no.	Bore for lever actuation	Dimension [mm]	Weight [g]
15263	●	32 x 80 x 7	100



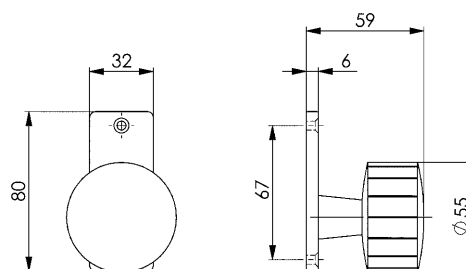
## No. 452

### Door knob, straight

Forged, hammer-finish, zinc-plated, stove-enamelled black.  
Rigid installation on angular handle plate.  
Incl. 2 stainless steel screws.  
Bore centres: 67 mm.



Order no.	Fixed	Pivoting	Door knob [mm]	Rose [mm]	Weight [g]
15271	●	-	Ø 55	32 x 80 x 7	320



Subject to technical alterations.

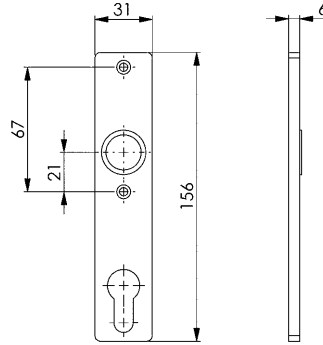
## No. 453Z

### Short cylinder plate

Forged, hammer-finish, zinc-plated, stove-enamelled black, angular shape, 19 mm guide.  
 Suitable for all cased locks.  
 Incl. 2 stainless steel screws.  
 Short cylinder plate with 72 mm centres.  
 Bore centres: 67 mm.



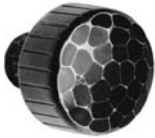
Order no.	Bore for lever actuation	Dimension	Weight
		[mm]	
15297	●	32 x 156 x 7	185



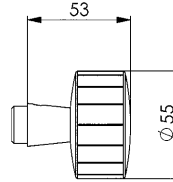
## No. 454

### Door knob, straight

Forged, hammer-finish, zinc-plated, stove-enamelled black, rounded shape, 19 mm guides, 8 mm spindle.



Order no.	Door knob	Weight
	[mm]	
15362	Ø 55	195



## No. 455

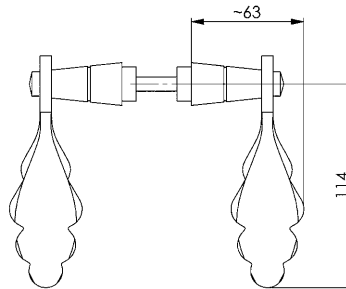
### Lever handles

15370 Lever handles pair, with lever pin  
 15404 Lever handles, single, female, points to right  
 15412 Lever handles, single, female, faces left  
 Forged, hammer-finish, zinc-plated, stove-enamelled black, rounded shape, 19 mm guide, 8 mm spindle.  
 For case width 30-60 mm.



15404

Order no.	Handle set	Handle, single, female - left	Handle, single, female - right	for case width	Weight
				[mm]	
15370	●	-	-	30 - 60	600
15404	-	-	●	-	275
15412	-	●	-	-	275



## No. 456Z

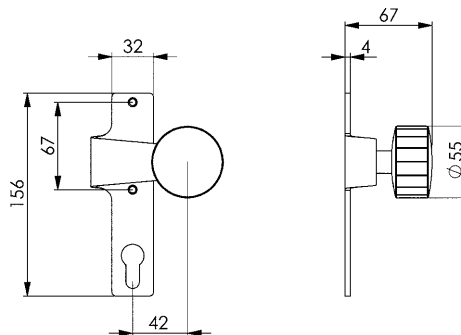
### Door knob, cranked

Forged, hammer-finish, zinc-plated, stove-enamelled black.  
 Rigid on angular short cylinder plate.  
 15909 Lever handles faces right  
 15917 Lever handles faces left  
 Incl. 2 stainless steel screws.  
 Short cylinder plate with 72 mm centres.  
 Mounting-holes centres: 67 mm.



15909

Order no.	Faces left	Faces right	Door knob	Short plate	Weight
			[mm]		
15909	-	●	Ø 55	32 x 156 x 7	360
15917	●	-	Ø 55	32 x 156 x 7	360





## No. 490GN

### Door knob pair, with opening resistance

Stainless steel and plastic, rounded shape, 18 mm guide, 8 mm square.

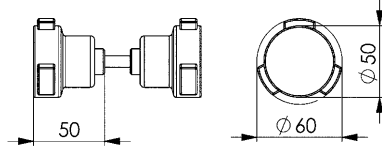
Incl. lever pin.



Order no.	Door knob [mm]	for case width [mm]	Weight [g]
555224	Ø 55	30 - 60	265

#### Note:

While actuating one of the three push-buttons, the lock / spring bolt can be opened by turning the door knob.



## Tube-frame fittings

## No. 405-406

### Door knob, cranked

Tube-frame fitting.

Light-alloy, silver-coloured (F1). Installed on edged furniture rose.

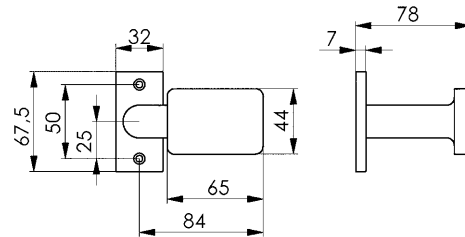
17517 rigid installation, rotatable

17525 rigid installation, can be used on left or right

Incl. 2 stainless steel screws.



Order no.	Fixed	Pivoting	Door knob [mm]	Rose [mm]	Weight [g]
17517	-	●	65 x 44	32 x 67,5	193
17525	●	-	65 x 44	32 x 67,5	193



## No. 407

### Lever handles, cranked

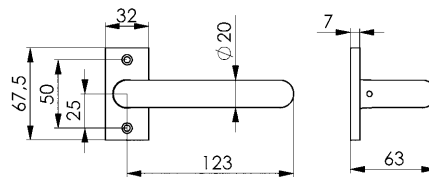
Tube-frame fitting.

Light-alloy, silver-coloured (F1). Pivoting installation on angular handle plate.

Incl. 2 stainless steel screws.



Order no.	Fixed	Pivoting	Rose [mm]	Weight [g]
17533	-	●	32 x 67,5	193



## No. 408

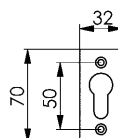
### Cylinder rose

Tube-frame fitting.

Light-alloy, silver-coloured (F1). For screwing on. Protects the cylinder against twisting.

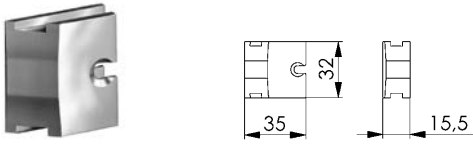


Order no.	Dimension [mm]	Weight [g]
17541	32 x 70 x 8	14



## No. 142U-F35

### Spring bolt head extension



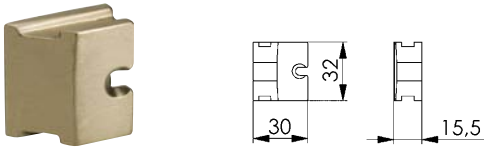
Order no.	fits	projection [mm]	Weight [g]
122291	140U, 142U	8	67

#### Note:

The spring bolt serves to compensate when there is a large distance to the striking plate.

## No. 142UM-F30

### Spring bolt head, brass



Order no.	fits	projection [mm]	Weight [g]
150862	140U, 142U	3	50

## No. 51

### Bit-key adapter set

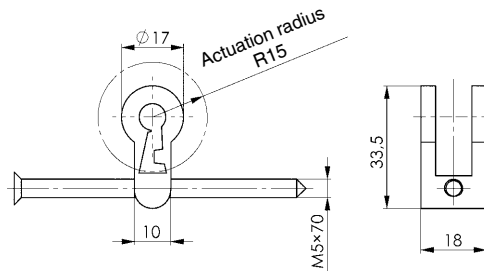
For all case locks and tube-frame locks pierced for profile cylinder.

#### Scope of supply:

- 1 bit-key insert (die-cast zinc)
- 1 fore-end bolt
- 2 keys no. 50



Order no.	Profile no.	Weight [g]
315366	1	65
319079	2	65
319095	3	65
319111	4	65
319129	5	65
319145	6	65
319160	7	65
319186	8	65
319202	9	65
319228	10	65



## No. 52

### Bit-key adapter set

For all case locks and tube-frame locks pierced for profile cylinder.

#### Scope of supply:

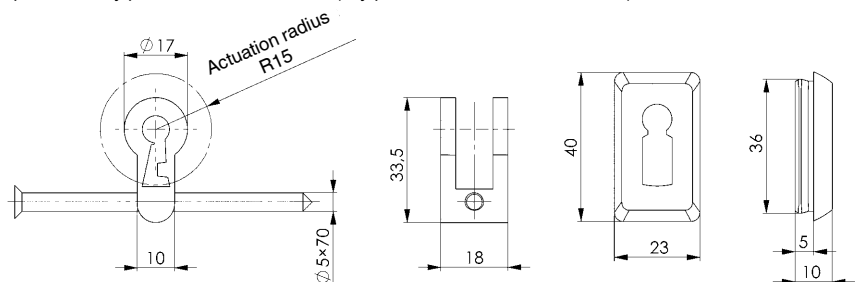
- 1 bit-key insert (die-cast zinc)
- 1 fore-end bolt
- 2 keys no. 50
- 1 pair bit-key roses, plastic, black (No. 493)



Order no.	Profile no.	Weight [g]
315382	1	73
319244	2	73
319269	3	73
319285	4	73
319301	5	73
319327	6	73
319343	7	73
319368	8	73
319384	9	73
319400	10	73

#### Note:

Fits all cased locks and locks for tubular frames with profile-cylinder piercing. Example of order for a particular key profile: No. 51-... or 52-... (key profile no. 1-10 of article no. 50).



Subject to technical alterations.

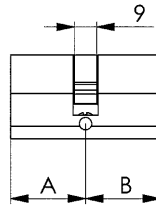
## No. 55

### Double profile cylinder

Brass, nickel-plated, each with 3 keys and mounting screw 70 mm.



Order no.	A [mm]	B [mm]	Weight [g]
15446	30	30	205
16394	22	22	170



## No. 55D

### Triangular half-cylinder

made of brass, with fastening bolt 70 mm, non-rusting stainless steel.

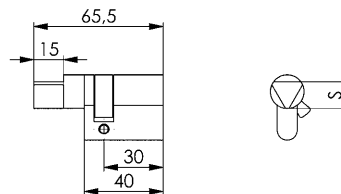
16667: with 8 mm triangular  
11056: with 15 mm triangular



Order no.	S [mm]	Weight [g]
16667	8	165
11056	15	180

#### Note:

The suitable socket spanner DIN 22417A can be found in the AMF catalogue „Hand Tools“ or you can order it directly using the order no. 44362 (suitable for 16667) or order no. 44396 (suitable for 11056).



## No. 457D

### Triangular, one working face

- 1: Short version, 8 mm triangular with washer and mounting screw M5.
- 2: Long version, 8 mm triangular.
- 3: Short version, 15 mm triangular with washer and mounting screw M5.
- 4: Long version, 15 mm triangular.



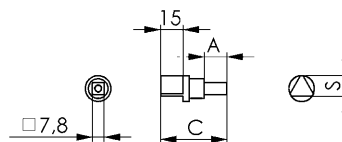
Order no.	Design	A [mm]	C [mm]	S [mm]	Weight [g]
16584	1	15	44	8	40
16618	2	45	74	8	55
11080	3	15	44	15	45
16634	4	45	74	15	60

#### Application:

Long version for fastening a fixture to the inside.

#### Note:

Suitable DIN 22417A socket spanners can be found in the AMF „Hand tools“ catalogue.



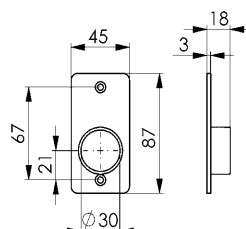
## No. 426M

### Triangular rose, V2A

for lever.



Order no.	Dimension [mm]	Weight [g]
11072	87x45x18	110



## No. 457

### Short spindle, grooved

Zinc-plated.



Order no.	Dimension [mm]	for case width [mm]	Weight [g]
178657	8x44	30*, 34, 40	21
178640	8x52	40, 50	27
178608	8x60	50, 60	30

\*pin to be shortened by 5 mm!

## No. 457NI

### Short spindle, grooved, V2A



Order no.	Dimension [mm]	for case width [mm]	Weight [g]
16386	8x44	30*, 34, 40	21
16402	8x52	40, 50	27
16428	8x60	50, 60	30

\*pin to be shortened by 5 mm!

## No. 481

### Lever spindle, grooved

Zinc-plated.

CAD



Order no.	Dimension [mm]	for case width [mm]	Weight [g]
15685	8x80	30, 34, 40	35
15677	8x100	50, 60	45

## No. 481NI

### Lever spindle, grooved, V2A

stainless steel.



Order no.	Dimension [mm]	for case width [mm]	Weight [g]
16113	8x80	30, 34, 40	35
16139	8x100	50, 60	45

## No. 494

### Lever rose (pair)

Plastic.

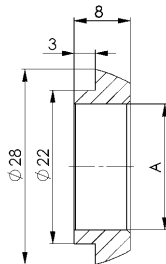
15875 - grey

15818 - black

15784 - anthracite



CAD



Order no.	A	Weight [g]
15875	16	5
15818	18	5
15784	19	5

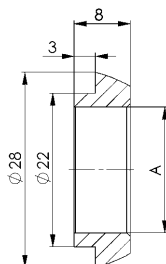
## No. 494

### Lever rose (set)

Comprising: 1 pair lever roses, 4 screws, high-grade stainless steel.



Order no.	A	Weight [g]
154302	18	11



Subject to technical alterations.



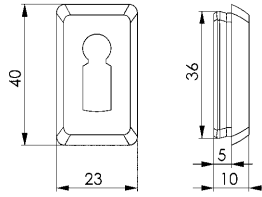
## No. 493

### Bit-key rose pair

plastic, black.



Order no.	Dimension	Weight [g]
	[mm]	
15792	40 x 23 x 10	4



## No. 446

### Security rose set

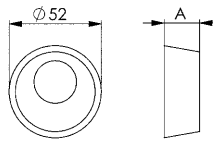
Zinc-plated. For screwing on. Stops the profile cylinder twisting, incl. cylinder-draw protection and lock drilling prevention.

Components:

- 1 outer rose and 1 concealed rose
- 1 boring steel plate
- 2 fastening bolts



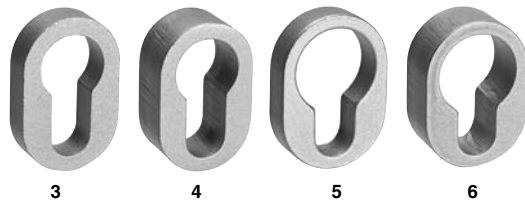
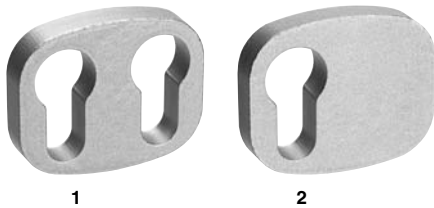
Order no.	for cylinder projection	A	Weight [g]
	[mm]	[mm]	
15040	10	15	175
15065	15	20	200



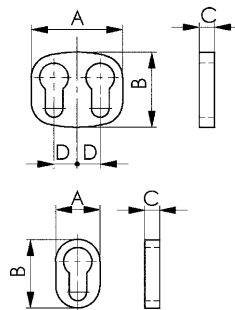
## No. 445

### Security rose

steel, bare-metal. For welding. Protects the cylinder against twisting. Suitable for all AMF-lock cases.



Order no.	Design	A	B	C	D	Weight [g]
		[mm]	[mm]	[mm]	[mm]	
10728	1	59	48,5	10	15	126
10611	2	59	48,5	10	15	165
10710	3	29	45,0	10	-	52
10769	4	29	45,0	15	-	77
10777	5	29	45,0	10	-	48
10785	6	29	45,0	15	-	70



## No. 450/447

### Protective rose set

Case-hardened steel. Protects the cylinder against twisting.

- 1: Stove enamelled, hammer-finish
- 2: Chrome-plated.

Comprising:

- 1 outer rose and 1 inner rose
- 2 mounting screws



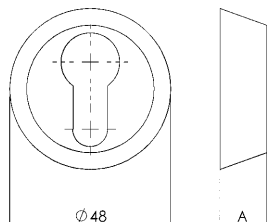
Order no.	Design	A	Weight [g]
		[mm]	
15149	1	15	200
15164	1	10	175
15081	2	15	200
15107	2	10	175

### Application:

Suitable for cased locks no. 140U, 140S and 140P.

### Note:

To protect doors that are not exposed to view.



## No. 54

### Electronic closing cylinder

Double knob cylinder with electronic access authorisation from outside and inside.

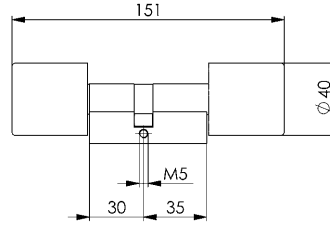
Both sides useable outdoors.

Dimension A/Dimension B: 30-35

Incl. mounting material, 2 batteries.



Order no.	for case width	Weight [g]
	[mm]	
11569	40-60	700



CAD



## No. 54P

### Programming set

For programming and operating electronic closing cylinder No. 54.

Comprising 7 different RFID data carriers: Battery Key, Fix Code Initialisation, Fix Code Programming, Master Key, Reset Key, Service Battery Key, Dismantling Service.



Order no.	Card type	Weight [g]
	11577	

## No. 54T

### Transponder

FID data carrier as a key ring, waterproof, uncoded.

Rounded version. Mifare 1K transponder.



Order no.	Card type	Weight [g]
	11585	





Subject to technical alterations.

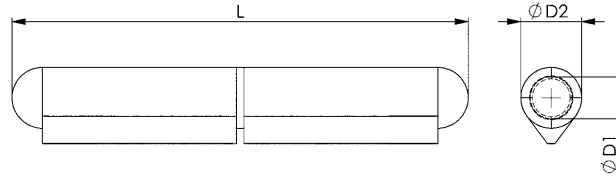


## No. 149B

### Lift off hinge

made of steel, disc and pin of brass.  
For welding on.

Order no.	L	dia. D1	dia. D2	Weight [g]
553118	120	11	16	200

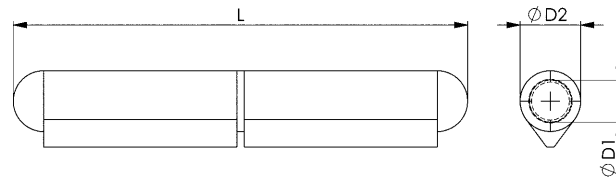


## No. 149BNI

### Lift off hinge

stainless steel, disc made of brass.  
For welding on.

Order no.	L	dia. D1	dia. D2	Weight [g]
553119	120	11	16	200





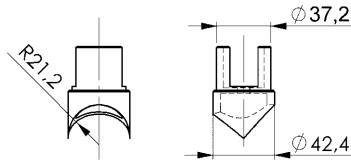
## No. 140CNIG-A42

### Mounting lugs (pair), V2A

Suitable for lock case no. 140CNIG and striking box no. 144CNIG, stainless steel, polished.



Order no.	For tubes with outside diameter		Weight [g]
	[mm]		
14555	42,4		465



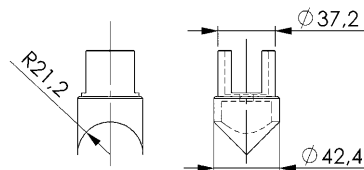
## No. 140ENIG-A42

### Mounting lugs (pair), V2A

Suitable for lock case no. 141ENIG and striking box no. 146ENIG, stainless steel, polished.



Order no.	For tubes with outside diameter		Weight [g]
	[mm]		
14563	42,4		570



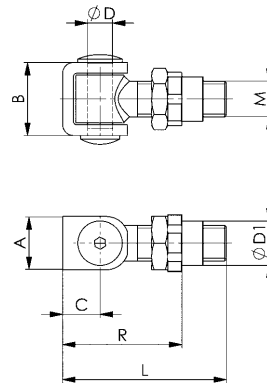
## No. 149T

### Door hinge, short

from steel, partially zinc-plated. For welding to weld-on nut and U-bar.



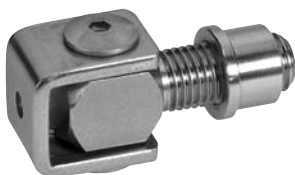
Order no.	Size	A	B	C	dia. D	dia. D1	L	M	R	Weight [g]
11403	M16	27	35	21	12	21	79	M16	52-68	294
11429	M20	30	41	21	14	25	92	M20	57-79	472
11445	M24	35	47	25	17	30	106	M24	66-80	727



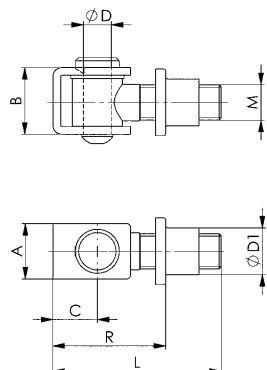
## No. 149ANI

### Door hinges, V2A

stainless steel. For welding to weld-on nut and U-bar.



Order no.	Size	A	B	C	dia. D	dia. D1	L	M	R	Weight [g]
559892	M12	25	26	20	11,3	16,7	65,1	M12	40 - 53	161
559894	M16	25	30	20	12,6	21,0	75,8	M16	44 - 60	258
10793	M20	30	37	25	14,0	24,0	85,0	M20	50 - 70	480
559895	M24	35	49	27	20,0	28,0	105,0	M24	59 - 84	812



Subject to technical alterations.

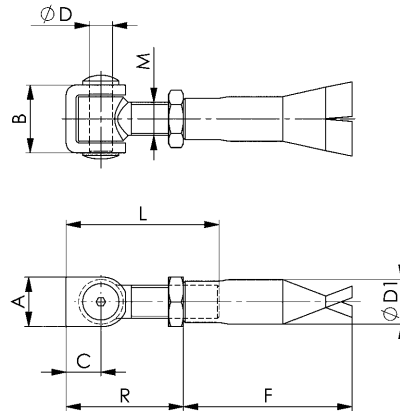
## No. 149TM

### Door hinge with wall case

from steel, partially zinc-plated. For welding to U-bar, with wall sleeve.



Order no.	Size	A	B	C	dia. D	dia. D1	F	L	M	R	Weight [g]
11452	M20	30	41	21	14	27	102	92	M20	48-71	549
11460	M24	35	48	25	17	34	117	105	M24	58-85	815



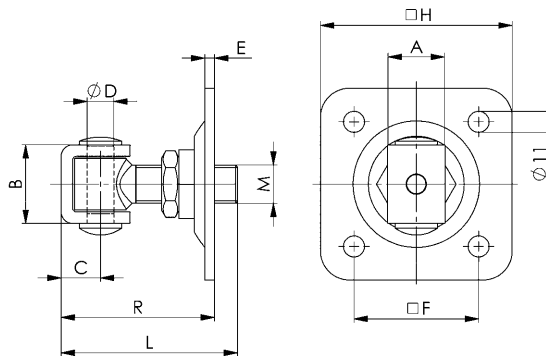
## No. 149TD

### Door hinge with dowel plate

from steel, partially zinc-plated. For welding to U-bar, with dowel plate.



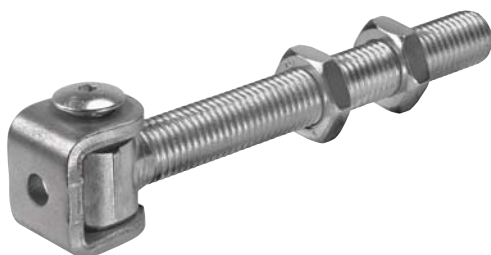
Order no.	Size	A	B	C	dia. D	E	F	H	L	M	R	Weight [g]
11478	M20	30	41	21	14	5	65x65	100x100	92	M20	68-91	875
11486	M24	35	48	25	17	5	65x65	100x100	107	M24	77-105	1380



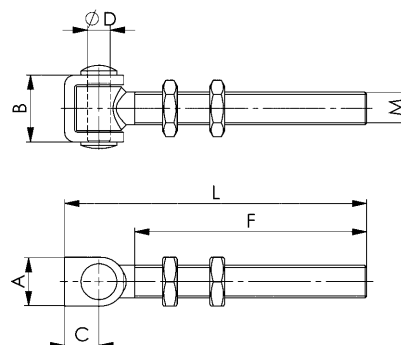
## No. 149TL

### Door hinge, long

from steel, partially zinc-plated. For welding to U-bar, with long thread for through-hole installation.



Order no.	Size	A	B	C	dia. D	F	L	M	Weight [g]
11494	M20	30	41,0	21	14	144	184	M20	650
11502	M24	35	47,5	25	17	144	190	M24	972



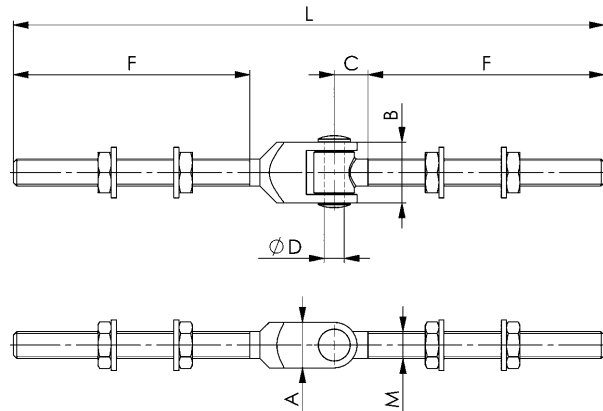
## No. 149TS

### Door hinge, screw-on

Stainless steel, for screw fastening from both sides.



Order no.	Size	A	B	C	dia. D	F	L	M	Weight [g]
551662	M16	27	36	20	12	140	350	M16	910
551663	M20	30	42	20	14	180	410	M20	1570



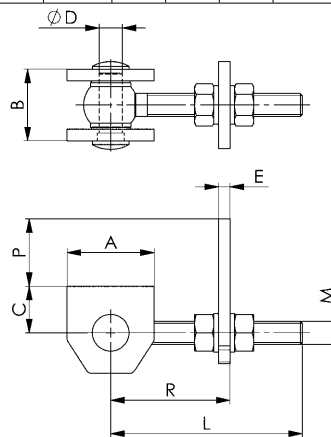
## No. 149TV

### Door hinge, adjustable

from steel, partially zinc-plated. For welding to weld-on tabs and U-bar.



Order no.	Size	A	B	C	dia. D	E	L	M	P	R	Weight [g]
11510	M12	45	37	24	12	6	100	M12	23-36	43-87	501
11528	M16	45	43	27	14	8	118	M16	78-103	48-102	795
11536	M20	70	49	35	17	8	166	M20	37-62	64-147	1494
11544	M24	70	51	35	17	12	168	M24	53-75	72-144	2266



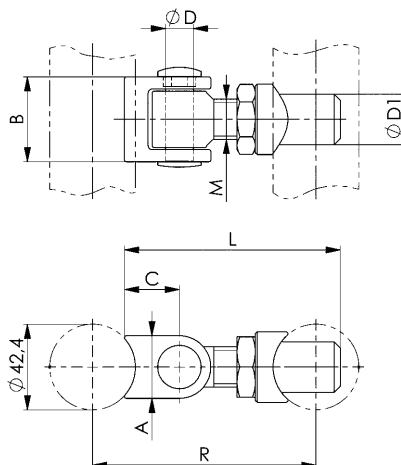
## No. 149TRA

### Door hinge for round tubular profile

non-rusting steel, for welding on both sides. Suitable for pipe profile with 42.4 mm.



Order no.	Size	A	B	C	dia. D	dia. D1	L	M	R	Weight [g]
557052	M20	31	42	27	14	25	95-105	M20	100-110	580



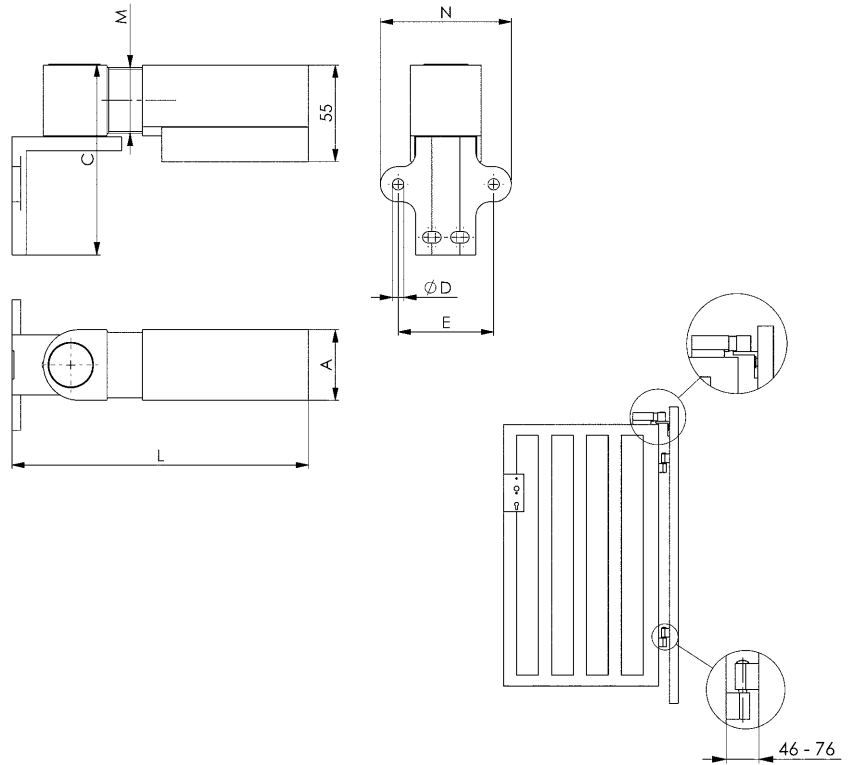
## No. 150N

### Door closer

Aluminium matt, black phosphated.  
 Adjustable closing and end stop speed with stop at 0° and +/- 90°.  
 Suitable for doors up to 80 kg door weight at 1 m wing width.  
 Corridor side and offset installation possible.  
 Suitable for spindle profile.  
 Closing function: Can be used to DIN right/DIN left.



Order no.	A	B	C	dia. D	E	L	M	N	Weight [g]
11601	40	55	108	6,5	54	143-232	M37x1,5	74	1050



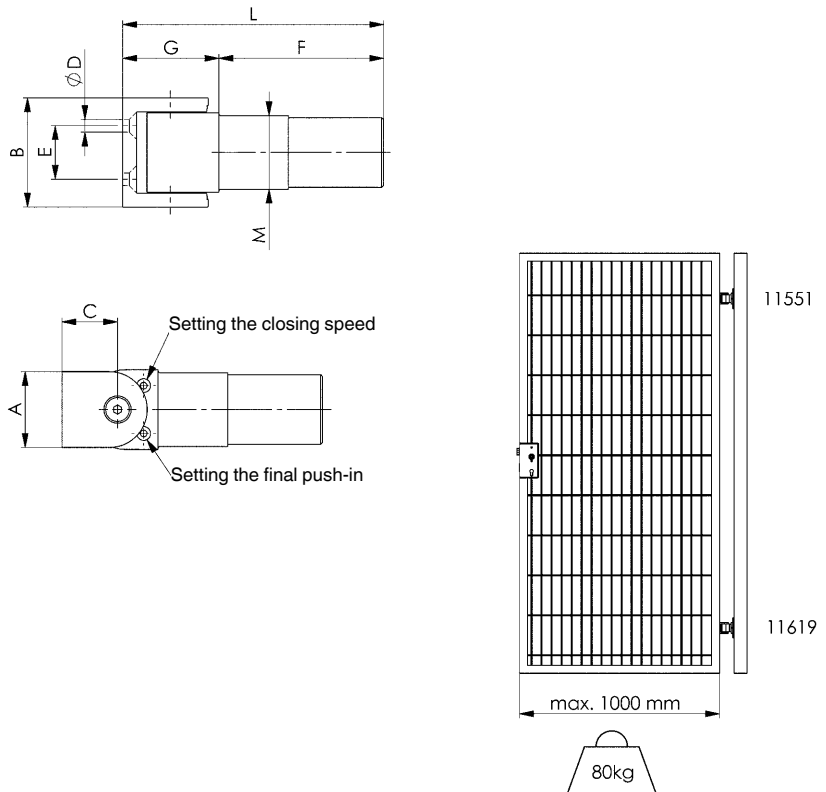
## No. 149ST

### Self-closing door hinge

Aluminium matt, black phosphated.  
 Door hinge with door closing function, adjustable closing and end stop speed with stop at 0° and +/- 90°.  
 Suitable for doors up to 80 kg door weight at 1 m wing width.  
 Closing function: Can be used to DIN right/DIN left.



Order no.	A	B	C	dia. D	E	F	G	L	M	Weight [g]
11551	38	55	28	6,5	27	83	48,5	131,5	M37x1,5	730



Subject to technical alterations.



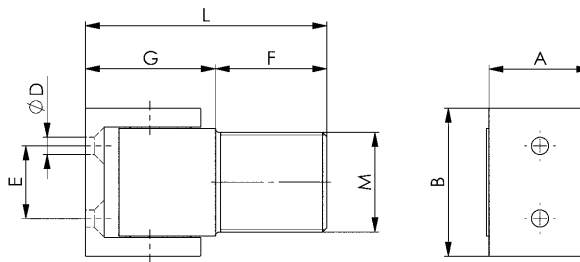
## No. 149STD

### Self-closing door hinge, dummy

Aluminium matt, black phosphated.  
 Door hinge suitable for self-closing door hinge no. 149ST.  
 Suitable for doors up to 80 kg door weight at 1 m wing width.  
 Can be used to DIN right/DIN left.



Order no.	A	B	C	dia. D	E	F	G	L	M	Weight [g]
11619	38	55	28	6,5	27	41,5	48,5	90	M37x1,5	410



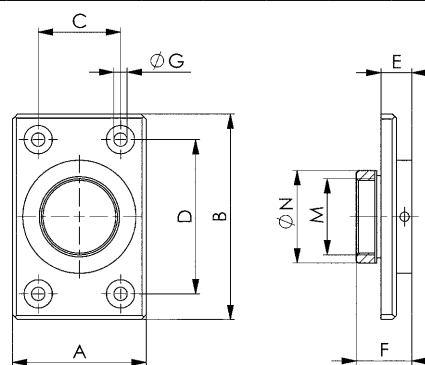
## No. 149STP

### Screw-on plate

Aluminium matt, black phosphated.  
 For installation of door hinges 149ST and 149STD.  
 Can be painted and varnished. Dimensions: 65 x 100 mm.



Order no.	A	B	C	D	E	F	dia. G	M	dia. N	Weight [g]
11627	65	100	40	75	15	27	6,5	M37x1,5	45	150



## No. 8400

### Heavy tube-frame deadlock

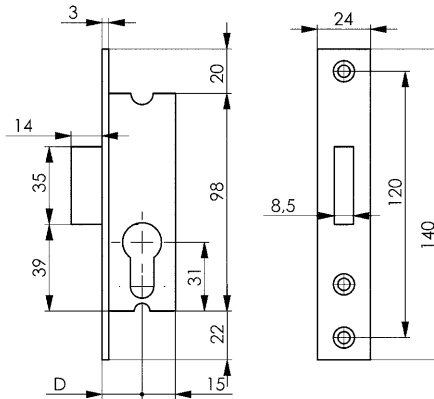
all parts fully zinc-plated. Can be used on left or right.  
Choice of closure PZ or B (with adapter set).  
- rotation 1 turn  
- bolt projection 14 mm



Order no.	Closure	D	Weight
		[mm]	[g]
18044	PZ	18	235
18069	PZ	20	240

#### On request:

Bolt projection of 5 mm available.



#### Recommendations



No. 143U,  
page 21



No. 55,  
page 67

## No. 8410

### Heavy tube-frame deadlock

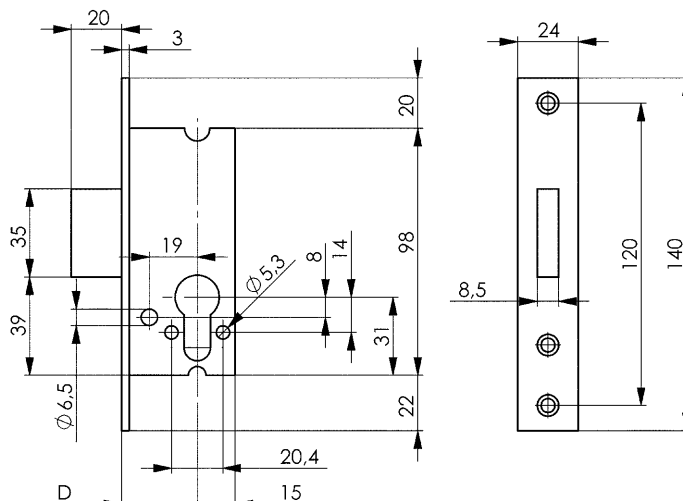
Bolt protected against sawing.  
all parts fully zinc plated. Can be used on left or right.  
Choice of closure PZ or B (with adapter set).  
- rotation 1 turn  
- bolt projection 20 mm



Order no.	Closure	D	Weight
		[mm]	[g]
18036	PZ	25	260
18051	PZ	27	270
18077	PZ	30	280
18093	PZ	35	300
18119	PZ	40	320
18135	PZ	45	340

#### On request:

Bolt projection of 5 mm available.



#### Recommendations



No. 143U,  
page 21



No. 408,  
page 65

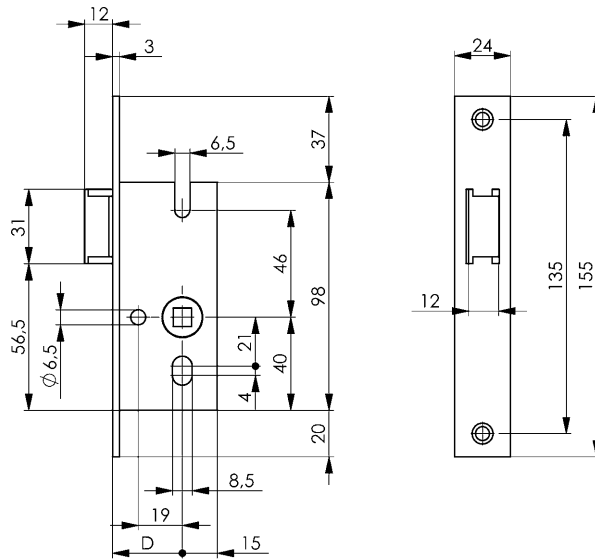
Subject to technical alterations.

## No. 3412

### Heavy tube-frame latch

all parts fully zinc-plated. Can be used for left or right closing by turning the spring bolt.  
- follower 8 mm

Order no.	D [mm]	Weight [g]
17350	25	275
17376	30	290



#### Recommendations



No. 143U,  
page 21



No. 407,  
page 65

## No. 8419L

### Renovation lock with elongated hole

All parts completely galvanised, with stainless steel fore-end. Spring bolt and bolt nickel-plated. Long-lasting operation and load value to DIN 18251-2, Class 5. can be used on left or right by turning the spring bolt. Prepared for profile cylinder (PZ) or bit key adapter set. With night latch function.

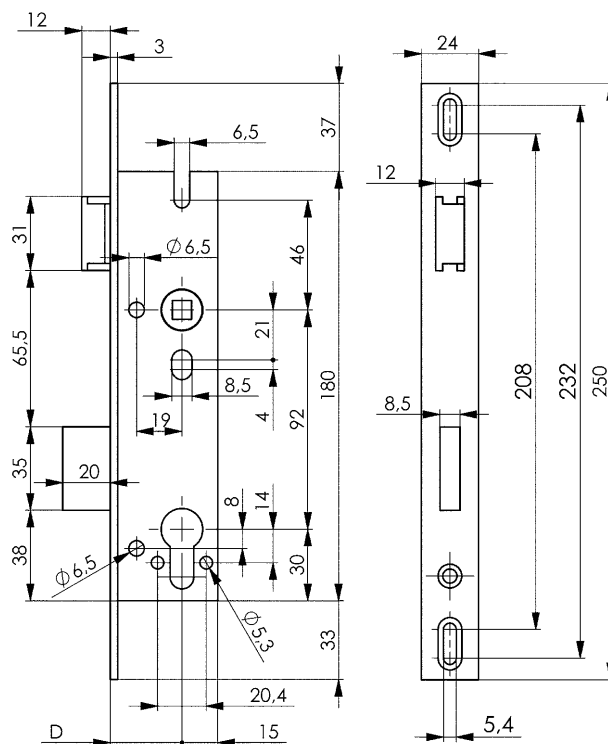
- backset 30 mm
- rotation 1 turn
- follower 8 mm
- centres 92 mm

Order no.	Closure	D [mm]	Weight [g]
551664	PZW	30	520

Backset 35 mm available on request.

#### Note:

This lock is especially suited for repair and renovation. It has an extra long fore-end, which can be cut to the required length and drilled to suit existing holes.



#### Recommendations



No. 405-406,  
page 65



No. 408,  
page 65

## No. 8405

### Heavy tube-frame catch-deadlock

all parts fully zinc-plated. Can be used for left or right closing by turning the spring bolt. Choice of closure PZ or B (with adapter set). Night latch function.

- centres 92 mm
- follower 8 mm
- rotation 1-turn
- bolt projection 14 mm



#### Recommendations



No. 143U,  
page 21



No. 407,  
page 65



No. 55,  
page 67

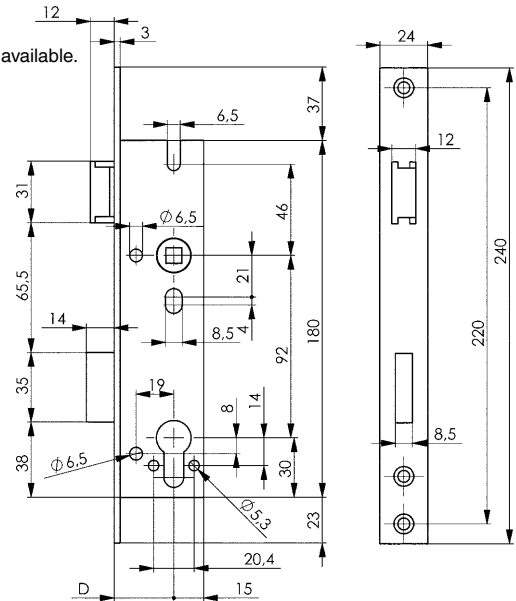
Order no.	Closure	D	Weight [g]
		[mm]	
17780	PZW	18	430
17798	PZW	20	445
17806	PZW	22	460
17814	PZW	25	490
17822	PZW	27	500
17830	PZW	30	580
17848	PZW	35	550
17855	PZW	40	665
17863	PZW	45	710

#### Note:

The version with 24 mm fore-end in backsets 25, 27, 30, 35, 40 and 45 mm is suitable for use in smoke control doors.

#### On request:

Spring bolt and bolt projection of 5 mm available.



## No. 8420D

### Heavy tube-frame catch-deadlock for two profile cylinders

all parts fully zinc-plated. Choice of closure PZ or B (with adapter set). Night latch function.

- centres 60 and 108 mm
- follower 8 mm
- rotation 1-turn
- bolt projection 13 mm



#### Recommendations



No. 142D,  
page 26



No. 407,  
page 65



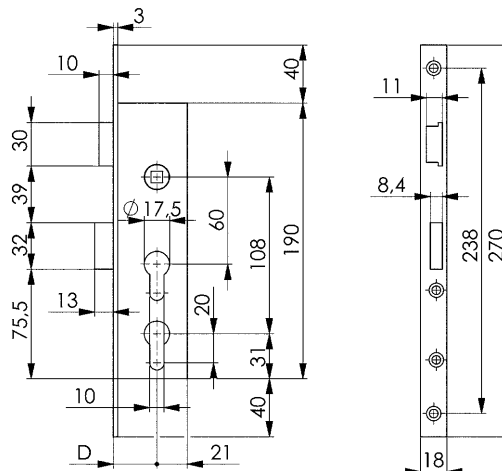
No. 55,  
page 67

Order no.	Closure	Door direction	D	Weight [g]
			[mm]	
16378	PZW	DIN R	30	525
16543	PZW	DIN L	30	525

R = right, L = left

#### Application:

The practical solution when two people (or groups of people) require independent access: for example fire-brigade approaches or waste-container enclosures. The cased lock with two profile cylinders permits access for the fire brigade or disposal companies via general key, and can also be integrated into the normal master-key system.



Subject to technical alterations.



## No. 8331

### Tube-frame sliding-door lock

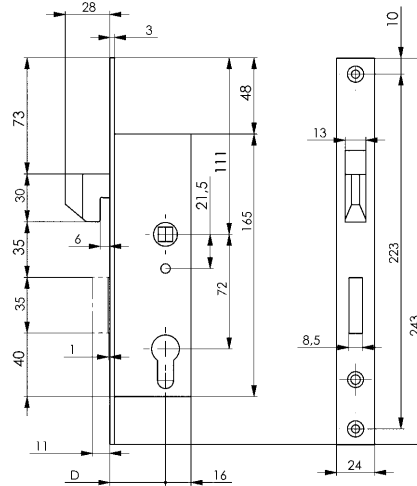
all parts fully zinc-plated.  
Choice of closure PZ or B (with adapter set). Night latch function.  
- centres 72 mm  
- follower 8 mm  
- rotation 1 turn



Order no.	Closure	D	Weight
		[mm]	[g]
17293	PZW	35	730
17319	PZW	40	790

#### Note:

The additional deadbolt option prevents the door being levered out.



#### Recommendations



No. 142S,  
page 40



No. 407,  
page 65

## No. 8331S

### Sliding gate striking plate, V2A

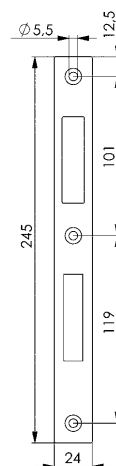
stainless steel.  
Accessory: 2 stainless steel screws M5x10 mm.



Order no.	Material thickness	Weight
	[mm]	[g]
17301	3,0	100

#### Application:

Suitable for tubular frame closing gate lock 8331.



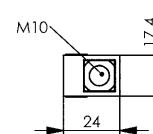
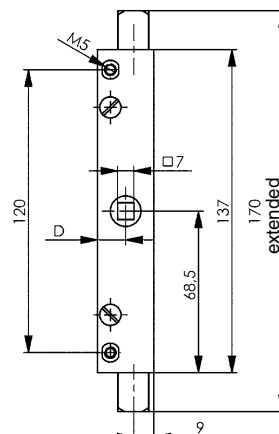
## No. 4308

### Tube-frame bolt drive

Zinc-plated.  
- backset 12 mm  
- follower 7 mm  
- lift 13 mm



Order no.	D	Case depth	Weight
	[mm]	[mm]	[g]
17236	12	24	280



Subject to technical alterations.

## No. 104

### Wrought-iron gate deadlock with channel fore-end

all parts fully zinc-plated. Can be used on left or right. Steel bolt. Choice of closure PZ or RZ.

- backset 50 mm
- rotation 2 turns



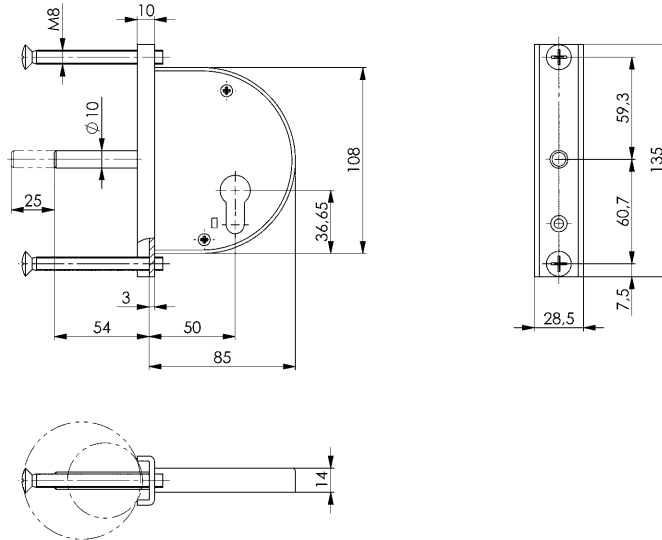
Order no.	Closure	Backset [mm]	Case depth [mm]	Weight [g]
12179	PZ	50	85	550
12195	RZ	50	85	550

#### Note:

Lock no. 104 with PZ closure can be retrofitted with the bit-key adapter set no. 51 (to be ordered separately).

The fore-end bolt must then be shortened to 65 mm!

For bolt-mounting to tubes with 27 - 50 mm outer diameter (3/4" - 1 1/2" threads) and spindle-section profiles or angular brackets. Minimum contact width for lock is 30 mm.



#### Recommendations



No. 49,  
page 88



No. 55,  
page 67

## No. 107

### Medium-weight wrought-iron gate lock with channel fore-end

all parts fully zinc-plated. Can be used on left or right. Die-cast-zinc spring bolt, steel bolt.

Choice of closure PZ or RZ. Night latch function.

Accessory: 2 handle plates 18 mm

- backset 50 mm
- rotation 2 turns
- follower 8 mm
- centres PZ 63.2 mm
- centres RZ 65.2 mm

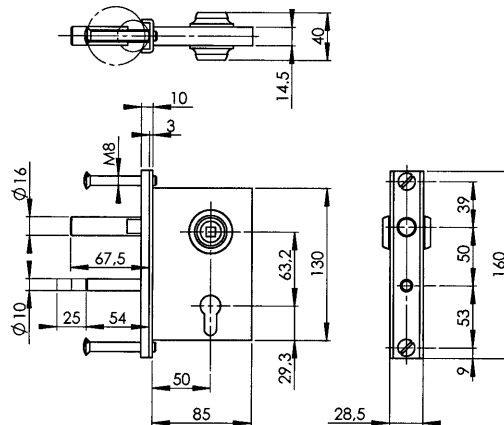


Order no.	Closure	Backset [mm]	Case depth [mm]	Weight [g]
12435	PZW	50	85	970
12450	RZW	50	85	920

#### Note:

Lock no. 107 with PZ closure can be retrofitted with the bit-key adapter set no. 51 (to be ordered separately).

For bolt-mounting to tubes with 27 - 50 mm outer diameter (3/4" - 1 1/2" threads) and spindle-section profiles or angular brackets. Minimum contact width for lock is 30 mm.



#### Recommendations



No. 418,  
page 56

## No. 2

### Heavy rim lock, inward opening

All parts fully zinc-plated, with spring bolt. Spring bolt cannot be turned. Closure: PZ. Night latch function.

Accessory: Striking box.

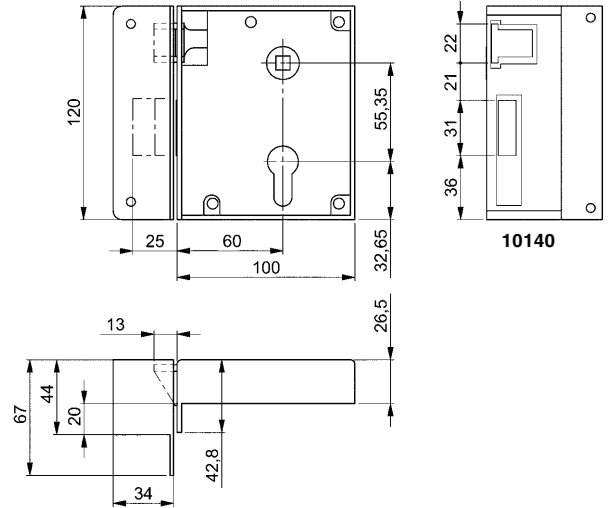
- backset 60 mm
- rotation 2 turns
- follower 8 mm
- centres 55.3 mm
- offset 17.5 mm

Order no.	Closure	Door direction	Backset [mm]	Case depth [mm]	Weight [g]
10140	PZW	DIN L	60	100	1250
10157	PZW	DIN R	60	100	1250

R = right, L = left



10140



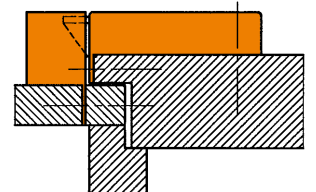
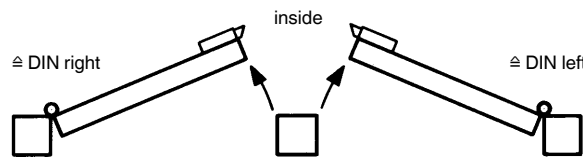
#### Recommendations



No. 402, page 85



No. 55, page 67



## No. 21

### Heavy rim lock, outward opening

All parts fully zinc-plated, with spring bolt. Spring bolt cannot be turned. Closure: PZ. Night latch function.

Accessory: Striking plate.

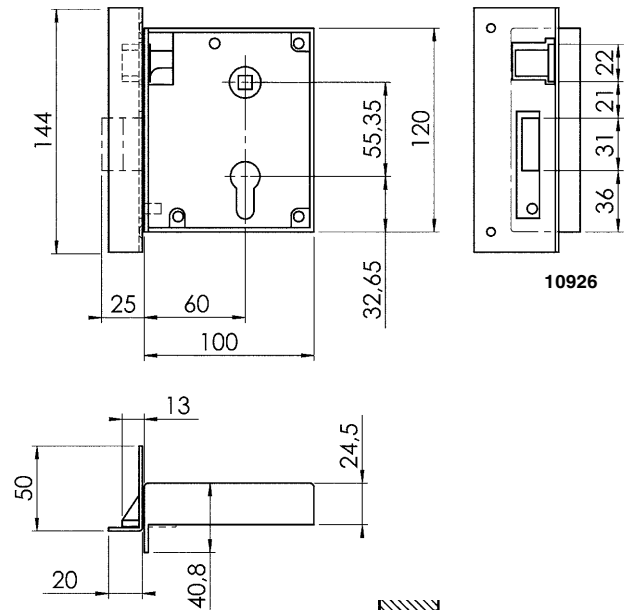
- backset 60 mm
- rotation 2 turn
- follower 8 mm
- centres 55.3 mm

Order no.	Closure	Door direction	Backset [mm]	Case depth [mm]	Weight [g]
10926	PZW	DIN R	60	100	1100
10934	PZW	DIN L	60	100	1100

R = right, L = left



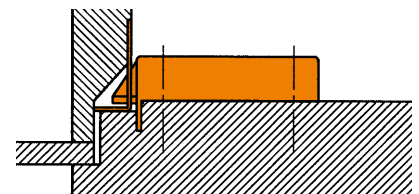
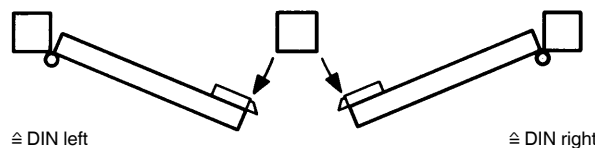
10926



#### Recommendations



No. 403, page 85



Subject to technical alterations.

## No. 2 ZW-26

### Heavy rim lock, inward opening

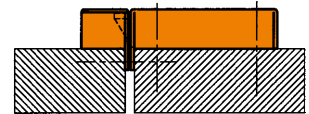
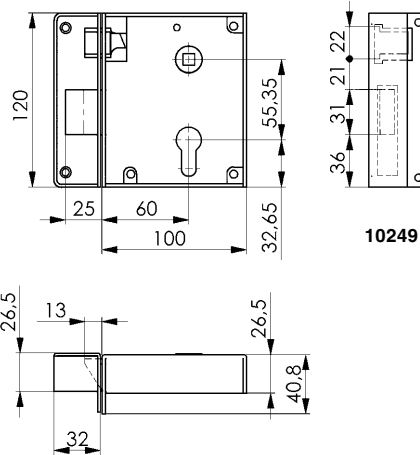
All parts fully zinc-plated, with spring bolt. Spring bolt cannot be turned. Closure PZ. Night latch function.

Accessory: Striking box.

- backset 60 mm
- rotation 2 turn
- follower 8 mm
- centres 55.3 mm

Order no.	Closure	Door direction	Backset	Case depth	Weight
			[mm]	[mm]	[g]
10249	PZW	DIN L	60	100	1250
10264	PZW	DIN R	60	100	1250

R = right, L = left



## No. 401Z

### Short cylinder plate

Stainless steel.

554191 angular shape

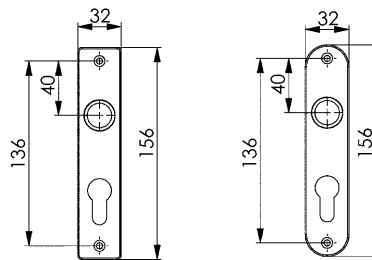
554190 round shape

Suitable for use with lock 2, 21 and 2ZW-26.

Incl. 2 lever roses for Ø 16 mm and Ø 18 mm levers, 2 stainless steel wood screws.

Short cylinder plate with 55.35 mm spacing.

Order no.	Bore for lever actuation	Dimension	Weight
		[mm]	[g]
554191	●	32 x 156 x 6	190
554190	●	32 x 156 x 6	190



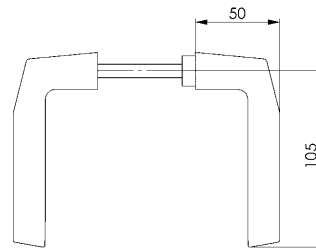
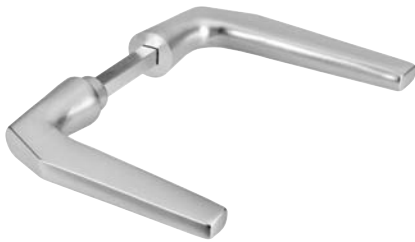


## No. 402

### Furniture pair, cranked

with handle pin.  
 Light-alloy, silver-coloured (F1), 18 mm guide. 8 mm spindle.  
 Suitable for lock no. 2 and no. 21.  
 If door thickness is under 45 mm, shorten pin.

Order no.	Door thickness	Weight [g]
	[mm]	
16188	45-55	250

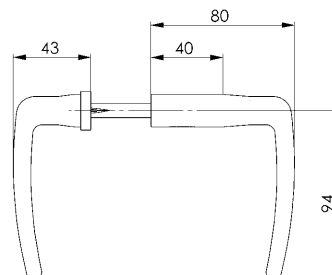


## No. 403

### Furniture pair, straight

with lever pin.  
 Plastic, black, 18 mm guide. 8 mm spindle.  
 Suitable for lock no. 2 and no. 21.

Order no.	Door thickness	Weight [g]
	[mm]	
16204	35-45	80



## No. 15

### Rim lock with rising latch

Fully zinc-plated. Robust design, rising spring-bolt.  
 Can be used inwards or outwards, left or right.  
 Choice of closure with PR or B (with 1 key no. 15-...).

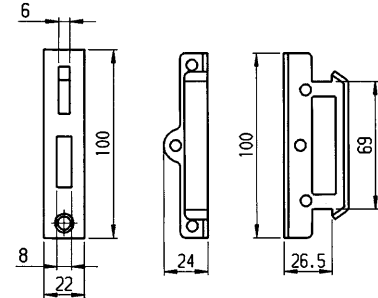
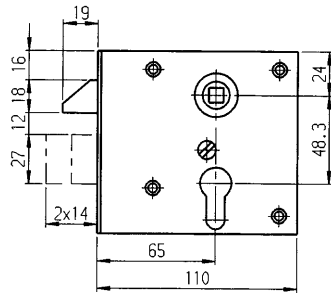
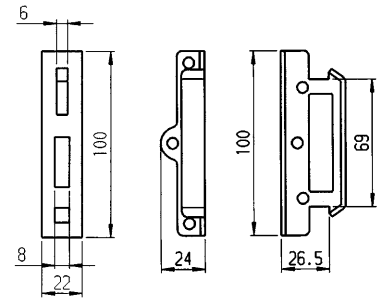
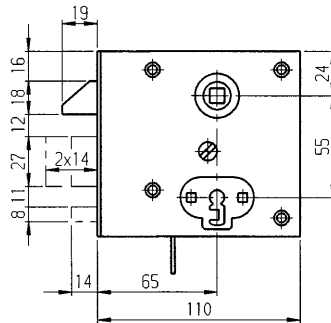
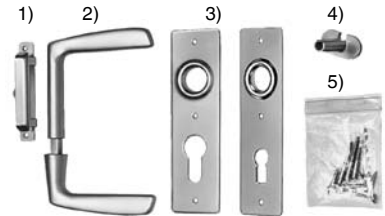
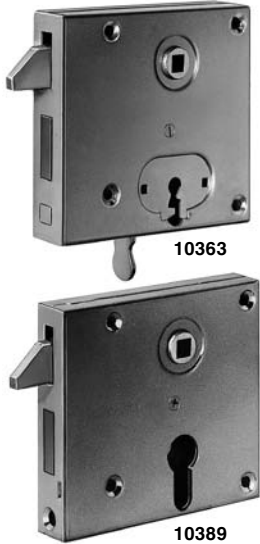
- backset 65 mm
- rotation 2 turns
- centres 55 mm
- follower 8 mm
- striking plate for 12 mm offset

Order no.	Closure	Backset	Case depth	Weight [g]
		[mm]	[mm]	
<b>10363</b>	B	65	110	890
<b>10389</b>	PZ	65	110	950

### Design:

Accessories (included in scope of supply):

- 1) Striking plate for inward closing, right-hand and left-hand locks
- 2) Pair of aluminium levers, silver-coloured
- 3) Long steel plate, silver-coloured, profile cylinder or bit key
- 4) Key guide, only for No. 15 with closure B
- 5) Mounting material



## No. 15-\*\*\*

### Bit-key

Order no.	Profile no.	Weight [g]
<b>319137</b>	3	30
<b>319152</b>	4	30
<b>319178</b>	13	30
<b>319194</b>	14	30

## No. 15-11

### Striking plate

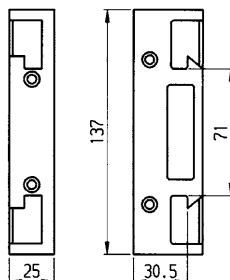
for outward opening of lock no. 15, please order separately.

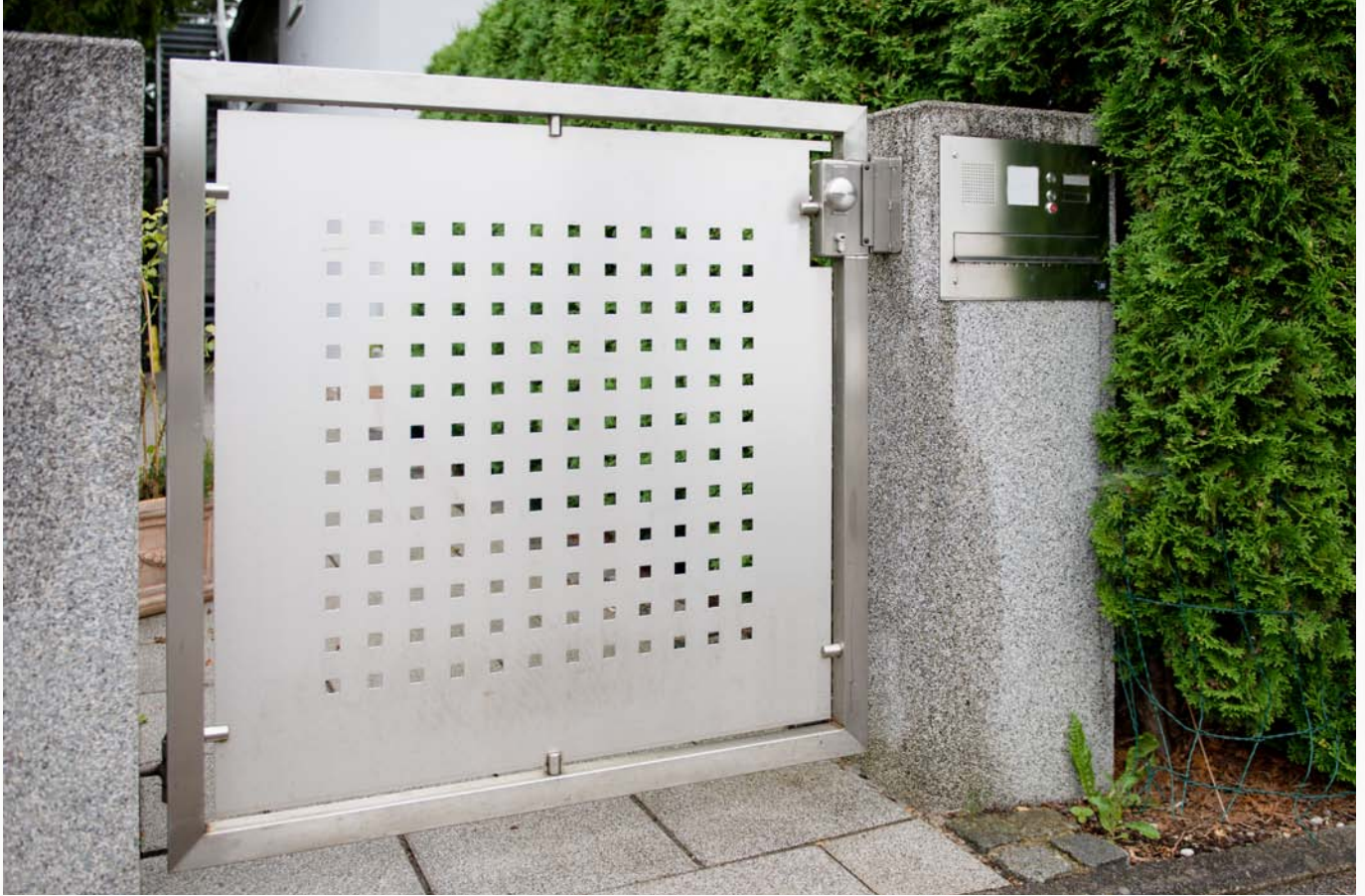
Order no.	fits	Weight [g]
<b>10371</b>	10363, 10389	80



### Application:

Suitable for no. 15 with closing PZ and B.





Subject to technical alterations.

## No. 49

### Rim deadlock with angle striking plate

all parts fully zinc-plated. Can be used on left or right.  
Die-cast-zinc bolt. Choice of closure with PZ, RZ or B (with 1 key no. 58).  
Accessory: B, PZ or RZ roses.  
Trade pack: 10 pce.  
- backset 60 mm  
- rotation 2 turns



#### Recommendations



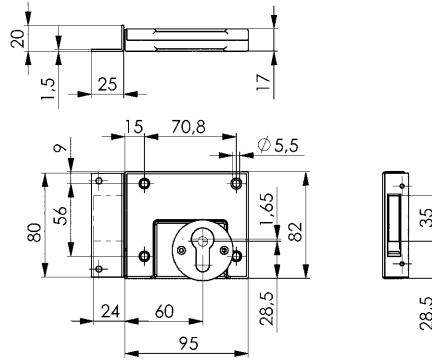
No. 49ZNI,  
page 19

Order no.	Closure	Backset	Case depth	Weight [g]
		[mm]	[mm]	
11262	B	60	95	415
11270	B*	60	95	415
11346	PZ	60	95	385
11361	RZ	60	95	385

\* Accepts only one particular key profile

#### Note:

Rim deadlock with angular striking plate no. 49 is also available in stainless steel, see item no. 49ZNI.



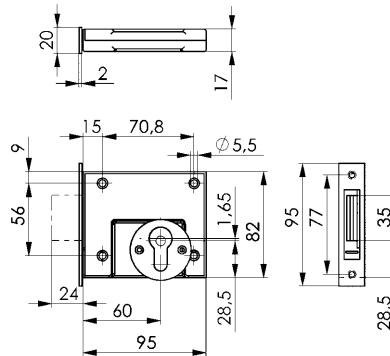
## No. 49

### Rim deadlock with flat striking plate

all parts fully zinc-plated. Can be used on left or right.  
Die-cast-zinc bolt. Choice of closure PZ or B (with 1 key no. 58).  
Accessory: B or PZ roses.  
Trade pack: 10 pce.  
- backset 60 mm  
- rotation 2 turns



Order no.	Closure	Backset	Case depth	Weight [g]
		[mm]	[mm]	
11296	B	60	95	400
11353	PZ	60	95	370



## No. 49SB

### Rim deadlock with angle striking plate in self-service package

For design and dimensions see lock no. 49  
Choice of closure with PZ or B (with 2 keys no. 58).  
Accessories: B or PZ roses and screws.



Order no.	Closure	Backset	Case depth	Weight [g]
		[mm]	[mm]	
11320	B	60	95	465
11338	PZ	60	95	410



## No. 100

### Wrought-iron gate deadlock

surface mounting, all parts fully zinc-plated.  
Choice of closure PZ or RZ.  
- backset 65 mm  
- rotation 2 turns



12013

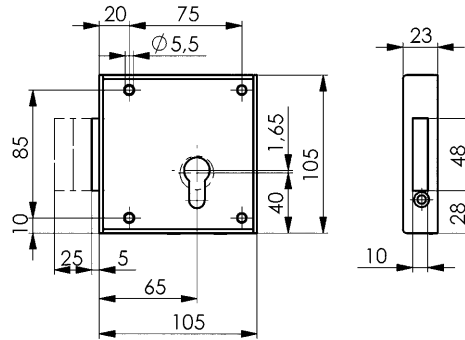
#### Recommendations



No. 55,  
page 67

Order no.	Closure	Door direction	Backset [mm]	Case depth [mm]	Weight [g]
12005	PZ	DIN L	65	105	820
12013	PZ	DIN R	65	105	820
12047	RZ	DIN L	65	105	820
12054	RZ	DIN R	65	105	820

R = right, L = left



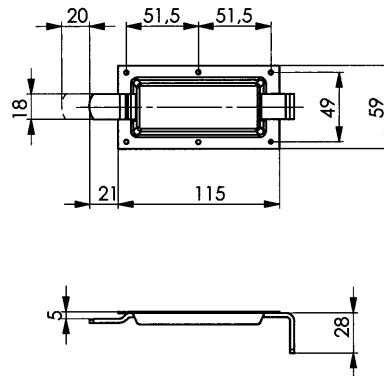
## No. 416

### Pressed shutter bolt

zinc-plated and yellow passivated. Robust design.  
Hardened steel spring, with keep plate.  
Trade pack: 10 pieces in a carton



Order no.	Width [mm]	Weight [g]
15156	136	150



## No. 440

### Shutter latch

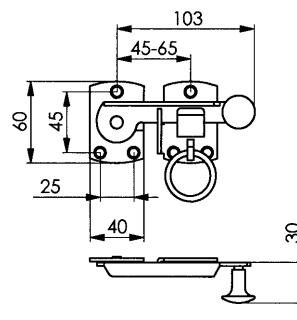
zinc-plated and yellow passivated.  
Robust design, with ring for opening.  
Trade pack: 10 pieces in a carton.



Order no.	Width [mm]	Weight [g]
15198	123	200

#### Design:

Flat mounting face, suitable for use plastic and aluminium hinged shutters. Screw pattern reduces risk of splitting when wooden shutters are abused.



# GARAGE DOOR LOCKS FROM AMF

Our garage door locks have been securing thousands of garage doors for decades. They provide the expected additional security and reliability – and nowadays with electrical door drives.

## SECURE LOCKING (FUNCTION)

by locking the rods rigidly, as in a deadlock, even with lateral rod pressure or when the rods are stuck.

## EASY LOCKING - COMFORTABLE HANDLING

thanks to overhead cylinder and 90 mm distance from the T-handle. Rod forces do not affect the locking mechanism; the cylinder is always relieved.

## FREE MOVEMENT

thanks to long rod guide, three springs and good lubrication.

## LONG SERVICE LIFE

by means of engineering design and careful manufacture, e.g.

- > 9 mm handle follower, double spring loaded, cannot escape to one side
- > all parts galvanized
- > all bearings lubricated during assembly.

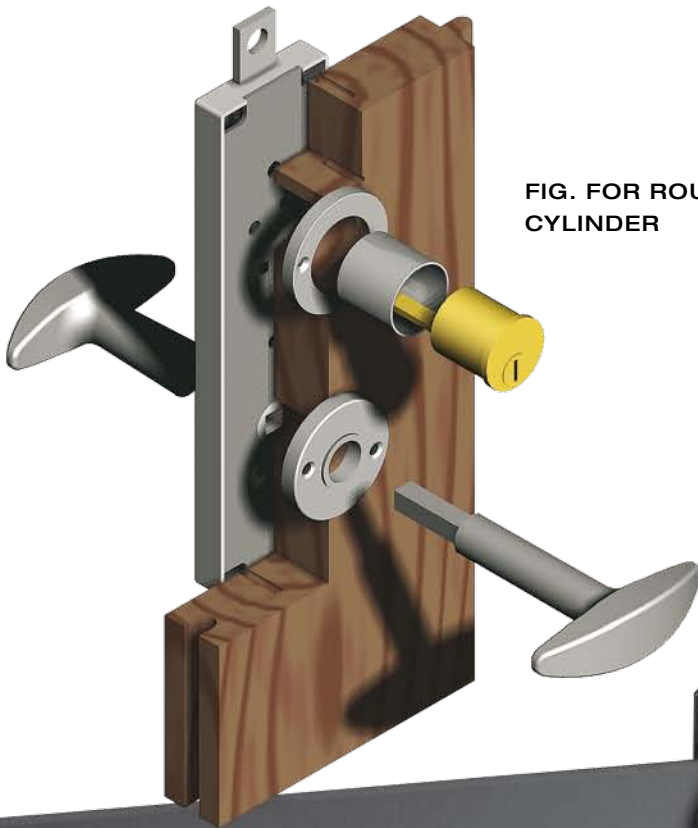


FIG. FOR ROUND CYLINDER



Subject to technical alterations.

## No. 550, 551, 552, 554, 558

### Garage-door locks for up-and-over and leaf doors

all parts fully zinc-plated, rod connections top and bottom.  
Trade pack: 5 pieces in a carton.  
- follower 9 mm



Order no.	Closure	Release knob, inside	Automatic closing	Weight [g]
16501	RZ	●	●	810
16550	PZ	●	●	810
16568	PZ	-	●	810
16345	PZ	●	-	830
16675	*	-	-	780

\* operation by handle only, no cylinder.

### Design:

16501: for round cylinder, inside with release button, automatic closing  
16550: aligned for profile cylinder, inside with release button, automatic closing  
16568: aligned for profile cylinder, without release button, automatic closing  
16345: aligned for profile cylinder, inside with release button, non-automatic closing  
16675: Basquill closure, without locking device

### Note:

16345: This garage door lock is especially suitable for garage door locks which need to be closed with the handle during the day and locked in the evening, e.g. equipment store in a gymnasium.

### Recommendations



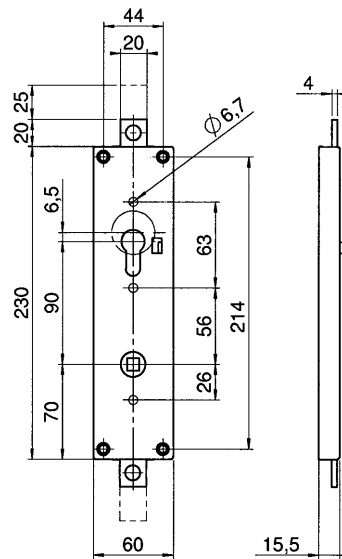
No. 515,  
page 92



No. 501,  
page 92



No. 560/561,  
page 93

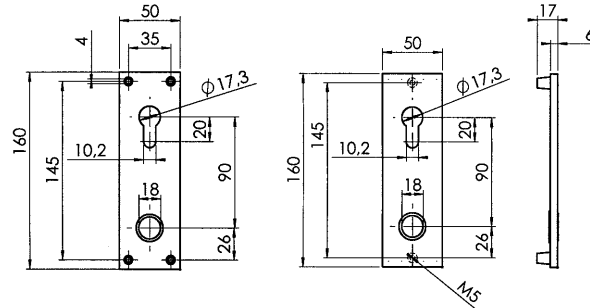


## No. 512

### Short plate for profile cylinder

silver-coloured (F1), 18 mm guide.  
 16048 Mounting from outside  
 16162 Mounting from inside

Order no.	Mounting, outside	Mounting, inside	Weight [g]
16048	●	-	60
16162	-	●	80

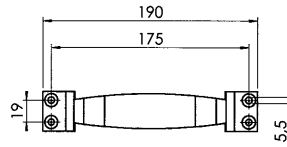


## No. 501

### Handle

Silver-coloured (F1).

Order no.	Dimension [mm]	Weight [g]
15958	190	120

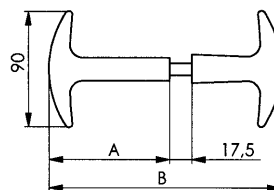
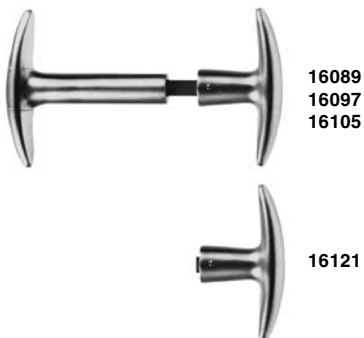


## No. 515

### T-handle

Silver-coloured (F1), with 9 mm spindle.  
 16121 Olive handle, single, female

Order no.	Handle set	Handle, single, female	A	B	Door thickness [mm]	Weight [g]
16089	●	-	70	135	30	200
16097	●	-	95	160	30-45	220
16105	●	-	115	180	45-75	240
16121	-	●	-	-	-	70



Subject to technical alterations.



## No. 525

### Flat rod

steel, bare-metal.

Order no.	Dimension	Weight [g]
	[mm]	
16196	1250 x 20 x 8	1600

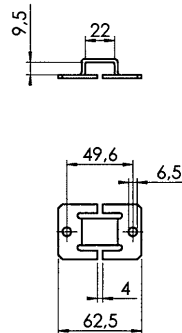
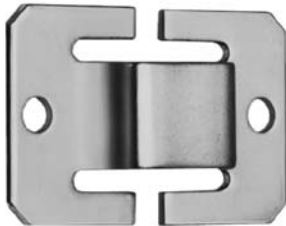


## No. 521

### Rod guide

Zinc-plated steel. Guide bearing for flat rods.

Order no.	fits	Weight [g]
	16154	

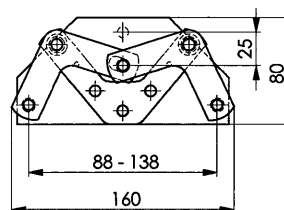


## No. 560/561

### Angle drive

Steel, zinc-plated.  
16691 with spacer plate  
124776 without spacer plate

Order no.	Spacer plate	Weight [g]
	16691	
124776	-	315



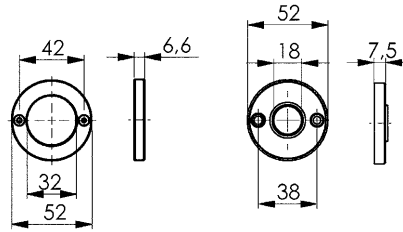
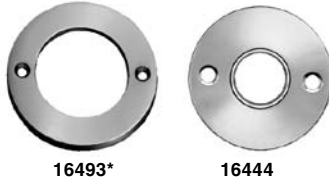
## No. 513

### Rose for round cylinder

Silver-coloured (F1).

Order no.	For round cylinders	For Olive	Weight [g]
16493	●*	-	11
16444	-	●	13

\* Ex stock subject to being unsold.



## No. 536

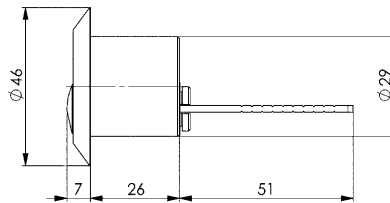
### Z Ikon round cylinder

brass, matt-nickel-plated.

Supplied as standard:

- 1 outer cylinder
- 3 keys
- 1 thrust washer
- 1 screw-on plate
- 2 screws M5 x 30

Order no.	suitable for lock No.	Door thickness [mm]	Weight [g]
16451	550	30 - 55	220



## No. 537

### Cylinder sleeve

nickel-plated brass. For round cylinder no. 536.

Order no.	Description	Weight [g]
16469	0 - 30 mm	30
16477	30 - 45 mm	40
16485	45 - 75 mm	55



Subject to technical alterations.

**AMF** - Keys are of malleable iron, fine nickel plating, with neatly-milled bits. The illustrated profiles are seen from the ring, and represent the keyhole. When ordering, please always specify the article number and profile number.

### Comparison table for locks / keys

<b>Lock case no.:</b> Key no.:	<b>140</b> 50, 53	<b>140S</b> 50, 53	<b>141</b> 50, 53
<b>Case lock no.:</b> Key no.:	<b>2</b> 58	<b>21</b> 58	<b>49</b> 58

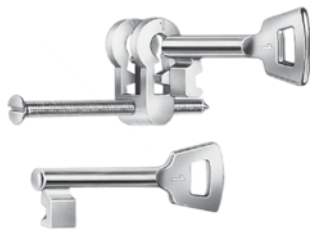
## No. 51

### Bit-key adapter set

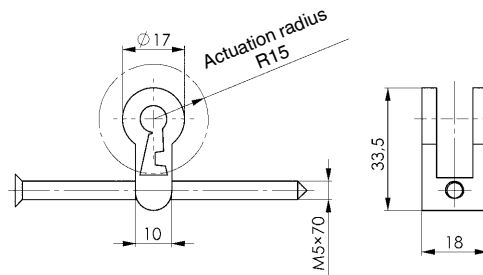
For all case locks and tube-frame locks pierced for profile cylinder.

Scope of supply:

- 1 bit-key insert (die-cast zinc)
- 1 fore-end bolt
- 2 keys no. 50



Order no.	Profile no.	Weight [g]
315366	1	65
319079	2	65
319095	3	65
319111	4	65
319129	5	65
319145	6	65
319160	7	65
319186	8	65
319202	9	65
319228	10	65



## No. 52

### Bit-key adapter set

For all case locks and tube-frame locks pierced for profile cylinder.

Scope of supply:

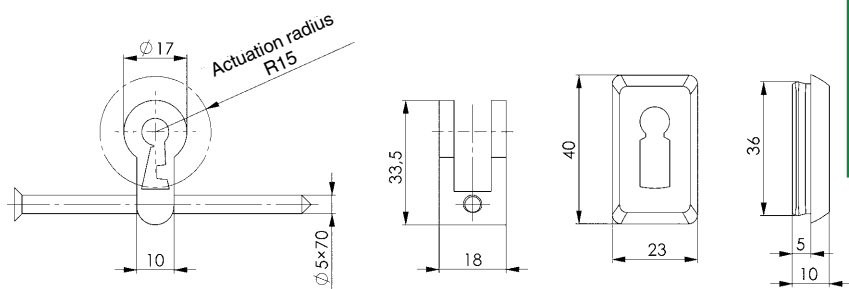
- 1 bit-key insert (die-cast zinc)
- 1 fore-end bolt
- 2 keys no. 50
- 1 pair bit-key roses, plastic, black (No. 493)



Order no.	Profile no.	Weight [g]
315382	1	73
319244	2	73
319269	3	73
319285	4	73
319301	5	73
319327	6	73
319343	7	73
319368	8	73
319384	9	73
319400	10	73

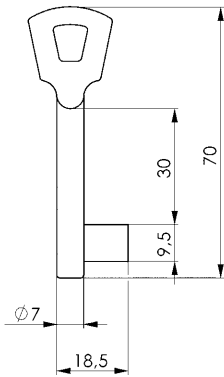
### Note:

Fits all cased locks and locks for tubular frames with profile-cylinder piercing. Example of order for a particular key profile: No. 51-... or 52-... (key profile no. 1-10 of article no. 50).



## No. 50

**Bit-key**  
short shaft.



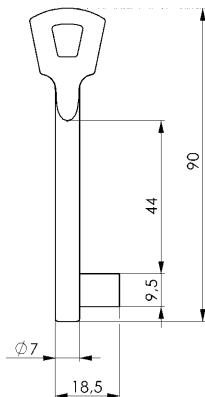
Order no.	Profile no.	Weight [g]
315325	1	19
319061	2	19
319087	3	19
319103	4	19
318774	5	19
318790	6	19
318816	7	19
318832	8	19
318857	9	19
318873	10	19

No. 50: standard bit key for articles 51 and 52.  
Minimum order quantity = 5 units per key profile



## No. 53

**Bit-key**  
long shaft.

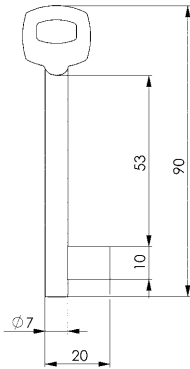


Order no.	Profile no.	Weight [g]
315341	1	27
318899	2	27
318915	3	27
318931	4	27
318956	5	27
318972	6	27
318998	7	27
319012	8	27
319038	9	27
319053	10	27

No. 53: alternative longer shank for articles 51 and 52.  
Minimum order quantity = 5 units per key profile

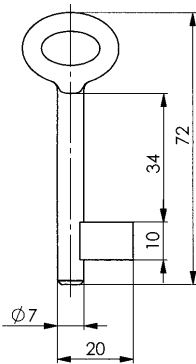




**No. 58**
**Bit-key**  
 long shaft.


Order no.	Profile no.	Weight [g]
315184	1	28
315317	2	28
315333	3	28
315358	4	28
315374	5	28
315390	6	28
315416	9	28
315432	10	28
315457	11	28
315473	12	28
315499	13	28
315515	14	28
315523	15	28
315549	16	28

Minimum order quantity = 5 units per key profile

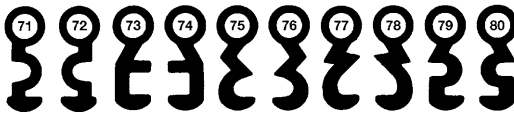
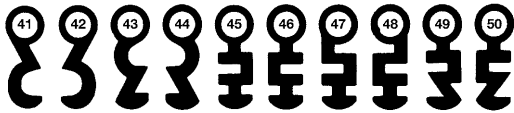
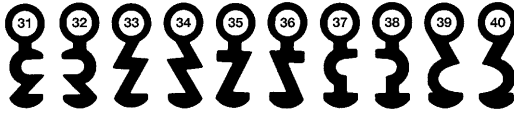
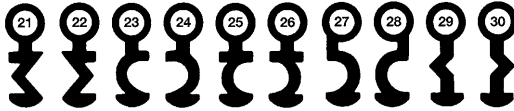
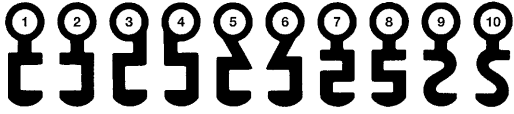

**No. 66**
**Bit-key**  
 short shaft.


Order no.	Profile no.	Weight [g]
316463	1	22
316448	2	22
315226	3	22
316489	4	22
316505	5	22
316521	6	22
316547	7	22
316562	8	22
316588	9	22
316257	10	22
316273	11	22
316299	12	22
316315	13	22
316331	14	22
316356	15	22
316372	16	22
316398	17	22
316414	18	22
316430	19	22
316455	20	22
316471	21	22
316497	22	22
316513	23	22
316539	24	22
316554	25	22
316570	26	22
316596	27	22
316604	28	22
316620	29	22
316646	30	22
316661	31	22
316687	32	22
316703	33	22
316729	34	22
316745	35	22
316760	36	22
316786	37	22
316802	38	22
316828	39	22
316844	40	22
316869	41	22
316885	42	22

Subject to technical alterations.

**No. 66**
**Bit-key**

short shaft.



Order no.	Profile no.	Weight [g]
316901	43	22
316927	44	22
316943	45	22
316612	46	22
316638	47	22
316653	48	22
316679	49	22
316695	50	22
316711	51	22
316737	52	22
316752	53	22
316778	54	22
316794	55	22
316810	56	22
316836	57	22
316851	58	22
316877	59	22
316893	60	22
316919	61	22
316935	62	22
316950	63	22
316968	64	22
316984	65	22
317008	66	22
317024	67	22
317040	68	22
317065	69	22
317081	70	22
317107	71	22
317123	72	22
317149	73	22
317164	74	22
317180	75	22
317206	76	22
317222	77	22
317248	78	22
317263	79	22
317289	80	22

Minimum order quantity = 5 units per key profile

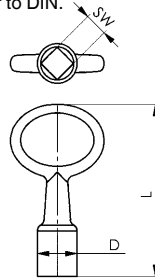
**DIN 7417**
**Square socket key**

Die-cast zinc.



Order no.	SW	D	L	Weight [g]
56002	6	11	55	18
56010	7	13	52	20
56028	8	14	58	24
56044	10	18*	68	40

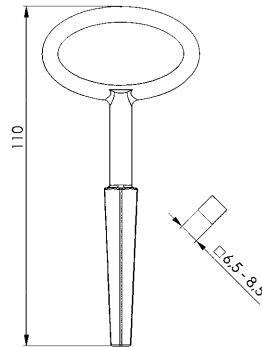
\* similar to DIN.


**No. 82G**
**Double window key**

malleable iron, nickel-plated.



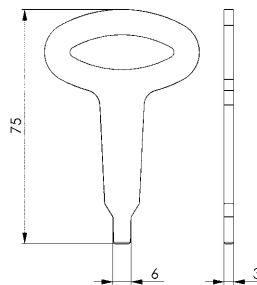
Order no.	Square [mm]	Length [mm]	Weight [g]
18887	6,5 - 8,5	110	65


**No. 82F**
**Window key**

flat, zinc-plated.



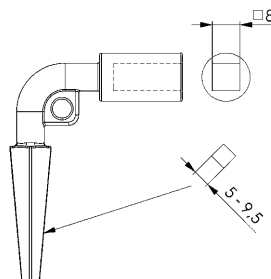
Order no.	Square [mm]	Length [mm]	Weight [g]
18978	3 x 6	75	30


**No. 84**
**Architect's key**

Die-cast zinc, zinc-plated.



Order no.	Square [mm]	Length [mm]	Weight [g]
18986	5 - 9,5	70	60



Subject to technical alterations.

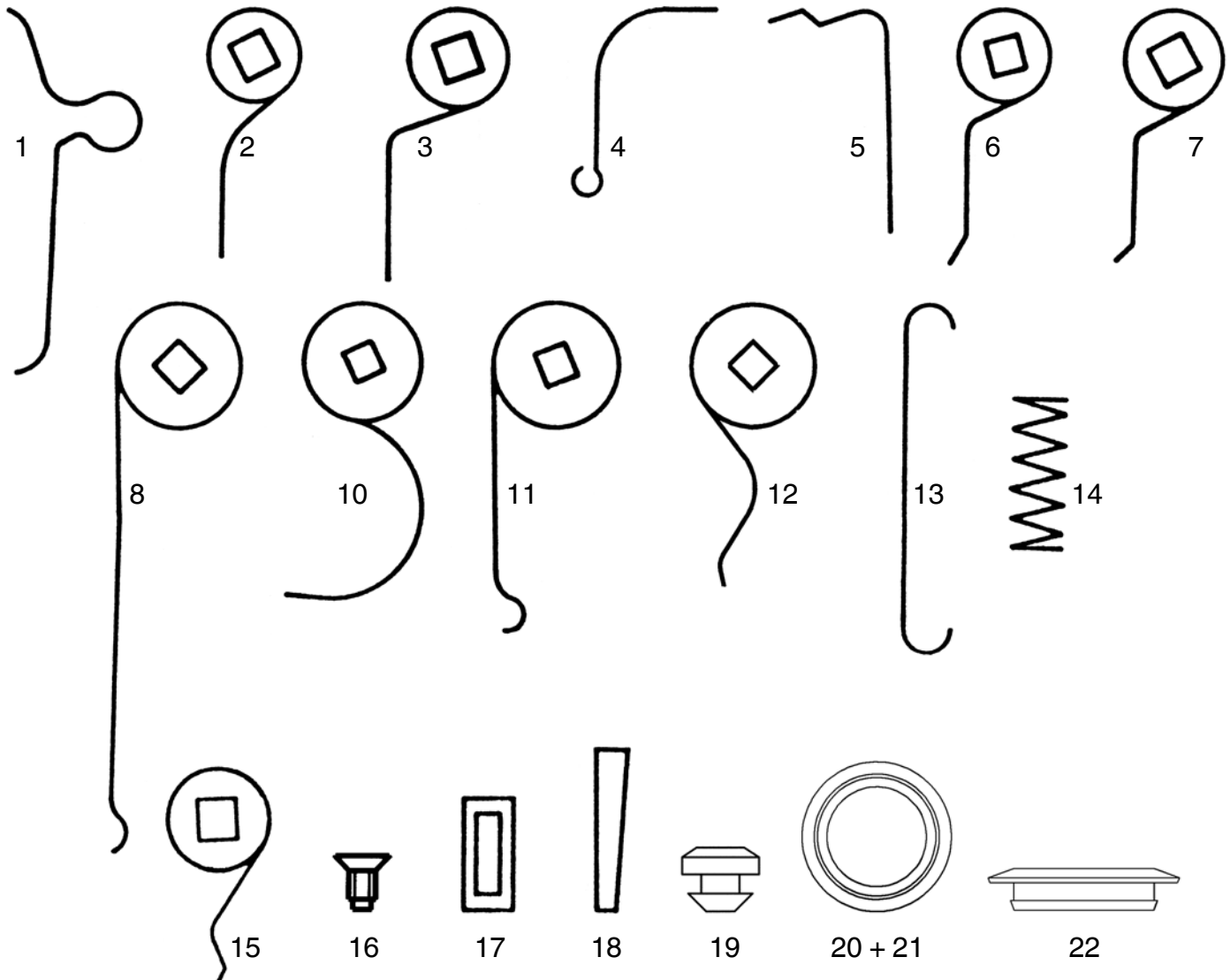
## Accessories

### Lock springs, connection parts, lever pins, screws

The table lists the various small parts used in our present and previous lock ranges. When ordering, please use the order number only.

- 1 release spring for garage door lock no. 550, 551, 553, 554, 556, 557
- 2 retaining spring for wrought-iron gates and cased locks no. 2, 21, 100, 104, 107
- 3 spring-bolt and retaining spring for lock no. 142U, 143U
- 4 retaining spring for lock no. 143U
- 5 spring-bolt head spring for lock no. 143U
- 6 spring-bolt spring for wrought-iron gates and case lock no. 2, 21, 107
- 7 spring-bolt spring for previous: mortise lock no. 159, 163, 204, 205
- 8 chain spring for lock no. 142U
- 10 follower lock for wrought-iron gate lock no. 107
- 11 chain lock for cased lock no. 2, 21
- 12 follower spring for lock no. 143U
- 13 catch spring for garage door lock no. 550, 551, 552, 553, 554, 556, 557, 558, 559
- 14 compression spring for garage door lock no. 553, 556, 557, 559
- 15 spring-bolt spring for lock no. 143U
- 16 countersunk screw
- 17 link
- 18 handle pin for T-handle no. 515
- 19 rubber buffer for striking boxes for sliding bolts no. 144ET, 144ETNIG, 145G, 146, 147, 147B
- 20 polyamide guide 16 mm for fittings from light-alloy and stainless steel
- 21 polyamide guide 18 mm for fittings from light-alloy and stainless steel
- 22 end plug for lock no. 140

Order no.	Fig. No.	Square [mm]	Width [mm]
124008	1	-	4
125823	2	5	4
136838	3	6	-
143248	4	-	7
147546	5	-	6
125575	6	5	8
125740	7	6	4
136812	8	6	8
125633	10	5	6
125872	11	5	7
136861	12	6	7
125948	13	-	4
125955	14	7,6x15,5	-
146159	15	6	4
159939	16	M4 x 8	-
126250	17	-	-
148379	18	-	-
15941	19	-	-
155994	20	-	-
156018	21	-	-
16311	22	-	-

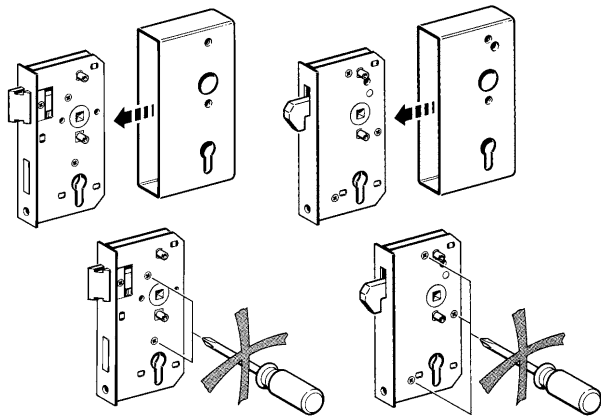


Subject to technical alterations.

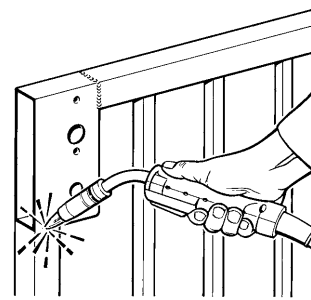


## Lock case installation:

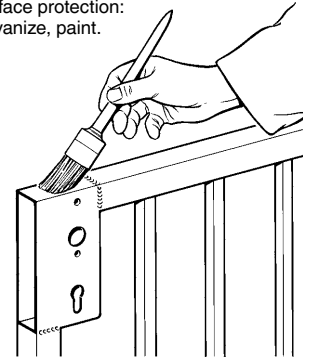
Preparation: Remove lock from lock case.



Weld in.



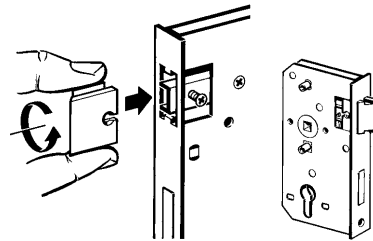
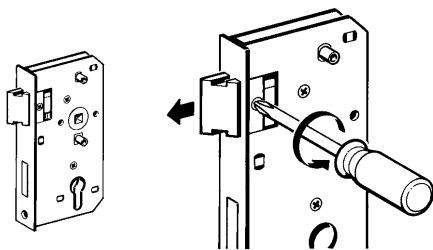
Surface protection: galvanize, paint.



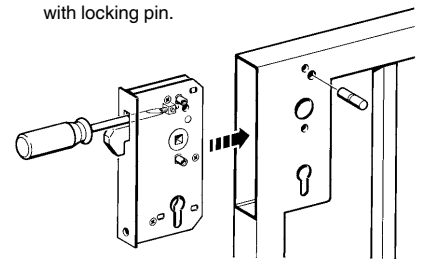
The lock is greased ready for mounting. **Please do not open!**

## Mounting the lock:

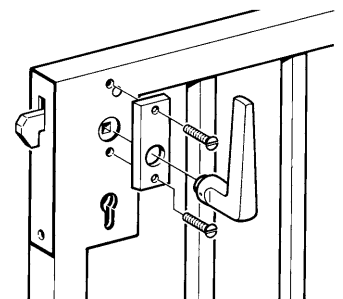
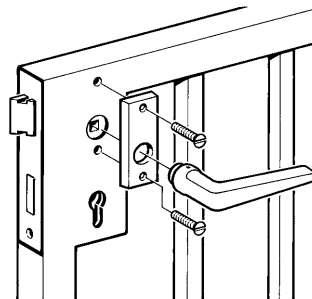
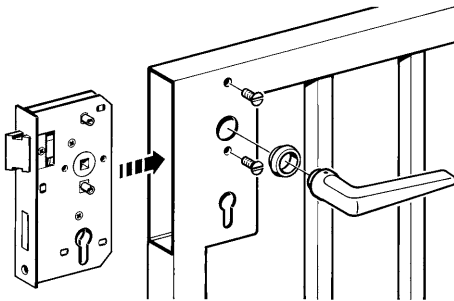
Set spring bolt to desired closing side.



Fix lock in case with locking pin.

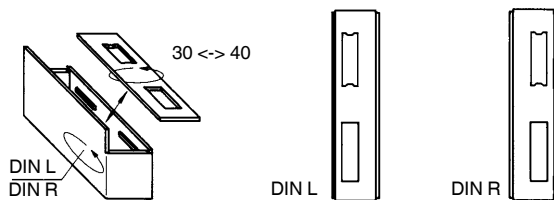


## Installing the lock and fittings in a single step:

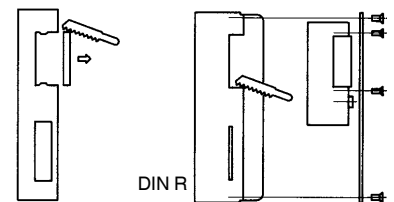


## Mounting the lock:

The closing direction is determined by the position of the striking plate.

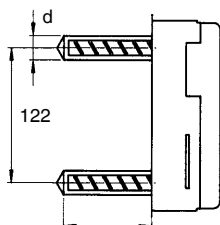


Preparation for mounting the door opener:



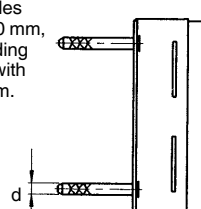
## No. 147 for installation by drilling

- with injection system, e.g. HIT, HILTI, FIPS or FISCHER; hole  $\text{Ø} 16 \times 80$ , precise spacing, axes aligned!
- with joining mortar, holes  $\text{Ø} 22 \times 80$  or larger as desired.



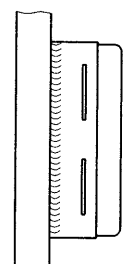
## No. 147A for fastening with wall plugs:

- drill 4 plug holes
- wall plug  $\text{Ø} 10 \text{ mm}$ , length according to substrate with screw  $\text{Ø} 6 \text{ mm}$ .



## No. 147B for welding on:

- weld on striking box
- galvanize completely



Subject to technical alterations.

## ... BY ITEM NO.

Article no.	Page	Article no.	Page	Article no.	Page	Article no.	Page	Article no.	Page
<b>Accessories</b>	100	<b>No. 142SD</b>	41	<b>No. 15</b>	86	<b>No. 453Z</b>	64	<b>No. 501</b>	92
<b>DIN 7417</b>	99	<b>No. 142SNIG</b>	18	<b>No. 15-***</b>	86	<b>No. 454</b>	64	<b>No. 51</b>	66, 95
<b>No. 100</b>	89	<b>No. 142U</b>	22	<b>No. 150N</b>	76	<b>No. 455</b>	64	<b>No. 512</b>	92
<b>No. 104</b>	82	<b>No. 142U-F35</b>	66	<b>No. 151C</b>	49	<b>No. 456Z</b>	64	<b>No. 513</b>	94
<b>No. 107</b>	82	<b>No. 142UM-F30</b>	66	<b>No. 151NI</b>	49	<b>No. 457</b>	68	<b>No. 515</b>	92
<b>No. 107G-25</b>	44	<b>No. 142UNIG</b>	13, 23	<b>No. 15-11</b>	86	<b>No. 457D</b>	67	<b>No. 52</b>	66, 95
<b>No. 140CNIG</b>	11	<b>No. 143U</b>	21	<b>No. 2</b>	83	<b>No. 457NI</b>	68	<b>No. 521</b>	93
<b>No. 140CNIG-A42</b>	73	<b>No. 143UNIG</b>	16	<b>No. 2 ZW-26</b>	84	<b>No. 460G</b>	63	<b>No. 525</b>	93
<b>No. 140D</b>	26	<b>No. 144CNIG</b>	11	<b>No. 21</b>	83	<b>No. 465</b>	56	<b>No. 53</b>	96
<b>No. 140DD</b>	25	<b>No. 144ET</b>	46	<b>No. 3412</b>	79	<b>No. 466</b>	56	<b>No. 536</b>	94
<b>No. 140DK</b>	25, 26, 38	<b>No. 144ETNIG</b>	15	<b>No. 401Z</b>	84	<b>No. 471</b>	61	<b>No. 537</b>	94
<b>No. 140ENIG-A42</b>	73	<b>No. 144GS</b>	45	<b>No. 402</b>	85	<b>No. 472Z</b>	61	<b>No. 54</b>	70
<b>No. 140K</b>	22, 23	<b>No. 145</b>	43	<b>No. 403</b>	85	<b>No. 473</b>	62	<b>No. 54P</b>	70
<b>No. 140KNIG</b>	13	<b>No. 145A</b>	43	<b>No. 405-406</b>	65	<b>No. 474Z</b>	62	<b>No. 54T</b>	70
<b>No. 140P</b>	32	<b>No. 145G</b>	44	<b>No. 407</b>	65	<b>No. 475</b>	56	<b>No. 55</b>	67
<b>No. 140PGN</b>	33	<b>No. 145W</b>	43	<b>No. 408</b>	65	<b>No. 476</b>	57	<b>No. 55D</b>	67
<b>No. 140PS</b>	35	<b>No. 146E</b>	24	<b>No. 416</b>	89	<b>No. 477L</b>	57	<b>No. 550, 551, 552, 554, 558</b>	91
<b>No. 140R</b>	39	<b>No. 146ENIG</b>	12	<b>No. 417GR</b>	63	<b>No. 477W</b>	58	<b>No. 560/561</b>	93
<b>No. 140RD</b>	38	<b>No. 146ET</b>	46	<b>No. 418</b>	56	<b>No. 478L</b>	58	<b>No. 58</b>	97
<b>No. 140S</b>	40	<b>No. 146GS</b>	45	<b>No. 419</b>	55	<b>No. 479</b>	60	<b>No. 58</b>	97, 98
<b>No. 140SD</b>	41	<b>No. 147</b>	47	<b>No. 420</b>	54	<b>No. 480</b>	60	<b>No. 66</b>	97, 98
<b>No. 140SDK</b>	41	<b>No. 147A</b>	47	<b>No. 421Z</b>	54	<b>No. 481</b>	68	<b>No. 82F</b>	99
<b>No. 140SK</b>	40	<b>No. 147B</b>	47	<b>No. 424</b>	55	<b>No. 481NI</b>	68	<b>No. 82G</b>	99
<b>No. 140SKNIG</b>	18	<b>No. 147BNIG</b>	17	<b>No. 425</b>	55	<b>No. 483</b>	62	<b>No. 8331</b>	81
<b>No. 140SNIG</b>	18	<b>No. 147NI</b>	17, 50	<b>No. 426</b>	54	<b>No. 483L</b>	58	<b>No. 8331S</b>	81
<b>No. 140U</b>	22	<b>No. 147NIPS</b>	36	<b>No. 426M</b>	67	<b>No. 483Z</b>	62	<b>No. 84</b>	99
<b>No. 140UM</b>	23	<b>No. 147RNI</b>	39	<b>No. 427Z</b>	54	<b>No. 484L</b>	58	<b>No. 8400</b>	78
<b>No. 140UMH</b>	29	<b>No. 147S</b>	42	<b>No. 430</b>	55	<b>No. 484W</b>	59	<b>No. 8405</b>	80
<b>No. 140UMV</b>	28	<b>No. 147SNIG</b>	19	<b>No. 4308</b>	81	<b>No. 485</b>	60	<b>No. 8410</b>	78
<b>No. 140UNIG</b>	13	<b>No. 147SNIG-XX-06</b>	19, 42	<b>No. 431</b>	53	<b>No. 486Z</b>	61	<b>No. 8419L</b>	79
<b>No. 140V</b>	27	<b>No. 147V</b>	50	<b>No. 432</b>	53	<b>No. 49</b>	88	<b>No. 8420D</b>	80
<b>No. 141E</b>	24	<b>No. 148</b>	48	<b>No. 433</b>	53	<b>No. 49SB</b>	88		
<b>No. 141ENIG</b>	12	<b>No. 149ANI</b>	73	<b>No. 434</b>	53	<b>No. 49ZNI</b>	19		
<b>No. 141K</b>	21	<b>No. 149B</b>	72	<b>No. 435</b>	55	<b>No. 490GN</b>	65		
<b>No. 141KNIG</b>	16	<b>No. 149BNI</b>	72	<b>No. 436</b>	52	<b>No. 491N</b>	34		
<b>No. 141U</b>	21	<b>No. 149ST</b>	76	<b>No. 437</b>	52	<b>No. 492N</b>	34		
<b>No. 141UNIG</b>	16	<b>No. 149STD</b>	77	<b>No. 438</b>	52	<b>No. 493</b>	69		
<b>No. 142D</b>	26	<b>No. 149STP</b>	77	<b>No. 439</b>	52	<b>No. 494</b>	68		
<b>No. 142DD</b>	25	<b>No. 149T</b>	73	<b>No. 440</b>	89	<b>No. 495</b>	60		
<b>No. 142P</b>	32	<b>No. 149TD</b>	74	<b>No. 445</b>	69	<b>No. 495Z</b>	61		
<b>No. 142PGN</b>	33	<b>No. 149TL</b>	74	<b>No. 446</b>	69	<b>No. 496</b>	57		
<b>No. 142PS</b>	36	<b>No. 149TM</b>	74	<b>No. 448</b>	34	<b>No. 497DZ</b>	59		
<b>No. 142R</b>	39	<b>No. 149TRA</b>	75	<b>No. 450/447</b>	69	<b>No. 497Z</b>	59		
<b>No. 142RD</b>	38	<b>No. 149TS</b>	75	<b>No. 451</b>	63	<b>No. 498</b>	59		
<b>No. 142S</b>	40	<b>No. 149TV</b>	75	<b>No. 452</b>	63	<b>No. 50</b>	96		

## ... BY ORDER NO.

Order no.	Page	Order no.	Page	Order no.	Page	Order no.	Page	Order no.	Page
10140	83	10736	21	11320	88	11593	15	12864	39
10157	83	10744	21	11338	88	11601	76	12880	39
10249	84	10751	21	11346	88	11619	77	12906	39
10264	84	10769	69	11353	88	11627	77	12914	19
10330	46	10777	69	11361	88	12005	89	12922	39
10363	86	10785	69	11395	56	12013	89	13334	33
10371	86	10793	73	11403	73	12047	89	13359	33
10389	86	10926	83	11411	57	12054	89	13375	33
10405	27	10934	83	11429	73	12179	82	13391	33
10454	12	10967	15	11437	55	12195	82	13417	33
10462	12	10975	15	11445	73	122291	66	13433	33
10470	23	11056	67	11452	74	124008	100	13458	33
10496	23	11064	49	11460	74	12435	82	13474	33
10587	13	11072	67	11478	74	12450	82	13540	28
10603	13	11080	67	11486	74	124776	93	13631	18
10611	69	11130	26	11494	74	12526	44	13649	18
10629	21	11163	26	11502	74	12542	44	13656	18
10637	21	11171	13	11510	75	125575	100	13664	18
10645	21	11197	25, 26, 38	11528	75	125633	100	13672	18
10652	54	11262	88	11536	75	125740	100	13680	18
10660	54	11270	88	11544	75	125823	100	136812	100
10678	54	11288	55	11551	76	125872	100	136838	100
10686	54	11296	88	11569	70	125948	100	136861	100
10710	69	11304	55	11577	70	125955	100	13706	21
10728	69	11312	19	11585	70	126250	100	13714	21

**... BY ORDER NO.**

Order no.	Page	Order no.	Page	Order no.	Page	Order no.	Page	Order no.	Page
13722	22, 23	14761	46	15784	68	<b>17012</b>	53	315515	97
13730	22, 23	14787	46	15792	69	<b>17145</b>	55	315523	97
13748	22, 23	<b>14829</b>	43	<b>15800</b>	60	17152	52	315549	97
13755	22, 23	148379	100	15818	68	17160	55	<b>316257</b>	97
13763	22, 23	14845	43	15826	57	17178	53	316273	97
13771	22, 23	14852	47	15842	60	17186	52	316299	97
13789	40	14878	47	15859	59	17194	52	316315	97
13797	40	14894	47	15867	59	<b>17202</b>	53	316331	97
<b>13805</b>	40	<b>14902</b>	47	15875	68	17228	52	316356	97
13813	40	14910	48	<b>15909</b>	64	17236	81	316372	97
13821	40	14928	48	15917	64	17244	53	316398	97
13839	40	14936	48	15941	100	17251	53	316414	97
13847	40	14944	48	15958	92	17269	52	316430	97
<b>13946</b>	40	14969	48	159939	100	17277	52	316448	97
13961	40	14977	47	<b>16006</b>	24	17285	53	316455	97
13987	40	14985	48	16022	59	17293	81	316463	97
13995	40	<b>15040</b>	69	16030	24	<b>17301</b>	81	316471	97
<b>14050</b>	13	15057	54	16048	92	17319	81	316489	97
14076	40	15065	69	16089	92	17350	79	316497	97
14084	40	15073	54	16097	92	17368	16	316505	97
<b>14134</b>	42	15081	69	<b>16105</b>	92	17376	79	316513	97
14142	42	150862	66	16113	68	17384	16	316521	97
14159	13	15099	54	16121	92	17392	16	316539	97
14167	22	<b>15107</b>	69	16139	68	<b>17517</b>	65	316547	97
14183	22	15115	54	16154	93	17525	65	316554	97
14191	40	15149	69	16162	92	17533	65	316562	97
<b>14209</b>	16	15156	89	16170	61	17541	65	316570	97
14217	40	15164	69	16188	85	<b>17780</b>	80	316588	97
14225	22	15198	89	16196	93	17798	80	316596	97
14233	40	<b>15263</b>	63	<b>16204</b>	85	<b>17806</b>	80	316604	97
14241	21	15271	63	16212	41	17814	80	316612	97
14258	40	15297	64	16220	41	17822	80	316620	97
14266	22	<b>15305</b>	63	16238	41	17830	80	316638	97
14274	40	15313	55	16246	58	17848	80	316646	97
14282	22	15347	56	16253	62	17855	80	316653	97
14290	21	15362	64	16261	62	178608	68	316661	97
<b>14308</b>	22	15370	64	16279	58	17863	80	316679	97
14316	22	15388	56	16287	59	178640	68	316687	97
14324	22	<b>15404</b>	64	16295	59	178657	68	316695	97
143248	100	15412	64	<b>16311</b>	100	<b>17921</b>	45	316703	97
14332	13, 23	15420	56	16329	43	17939	45	316711	97
14340	22	154302	68	16345	91	17947	45	316729	97
14357	13, 23	15438	56	16360	43	17954	45	316737	97
14365	22	15446	67	16378	80	<b>18036</b>	78	316745	97
14373	22	15453	56	16386	68	18044	78	316752	97
14381	22	15461	56	16394	67	18051	78	316760	97
14399	22	15479	63	<b>16402</b>	68	18069	78	316778	97
<b>14407</b>	26	154815	19, 42	16428	68	18077	78	316786	97
14415	32	15495	60	16444	94	18093	78	316794	97
14423	32	<b>15503</b>	56	16451	94	<b>18119</b>	78	316802	97
14431	32	15511	57	16469	94	18135	78	316810	97
14449	32	15529	57	16477	94	<b>18515</b>	17	316828	97
14464	21	15537	58	16485	94	18598	19	316836	97
14472	21	15545	60	16493	94	<b>18630</b>	47	316844	97
14480	32	15552	60	<b>16501</b>	91	18655	47	316851	97
14498	32	15560	60	16543	80	<b>18887</b>	99	316869	97
<b>14506</b>	32	15578	60	16550	91	<b>18978</b>	99	316877	97
14514	32	15586	61	16568	91	18986	99	316885	97
14530	11	15594	61	16584	67	<b>315184</b>	97	316893	97
14555	73	155994	100	<b>16618</b>	67	315226	97	316901	97
14563	73	<b>156018</b>	100	16634	67	315317	97	316919	97
14571	11	15602	62	16667	67	315325	96	316927	97
14597	17	15628	62	16675	91	315333	97	316935	97
<b>14605</b>	13	15644	55	16691	93	315341	96	316943	97
146159	100	15651	55	<b>16733</b>	22, 23	315358	97	316950	97
14621	16	15669	58	16741	52	315366	66, 95	316968	97
14639	13	15677	68	16758	22	315374	97	316984	97
14654	16	15685	68	16766	53	315382	66, 95	<b>317008</b>	97
14662	25, 26, 38	15693	62	16774	22	315390	97	317024	97
14670	26	<b>15701</b>	61	16782	52	315416	97	317040	97
<b>14704</b>	46	15727	57	16790	40	315432	97	317065	97
14738	46	15735	61	<b>16808</b>	53	315457	97	317081	97
14746	46	15743	60	16816	40	315473	97	317107	97
147546	100	15768	60	16832	40	315499	97	317123	97

**... BY ORDER NO.**

Order no.	Page	Order no.	Page	Order no.	Page	Order no.	Page
317149	97	319111	66, 95	553120	34	555224	65
317164	97	319129	66, 95	553121	34	<b>557052</b>	75
317180	97	319137	86	553125	19, 42	557053	39
317206	97	319145	66, 95	553126	17, 50	557054	39
317222	97	319152	86	553127	50	557055	29
317248	97	319160	66, 95	553128	17, 50	557056	25
317263	97	319178	86	553129	50	557057	25
317289	97	319186	66, 95	553130	50	557058	25
<b>318774</b>	96	319194	86	553131	50	557060	25
318790	96	319202	66, 95	553132	50	557063	38
318816	96	319228	66, 95	553133	50	557066	38
318832	96	319244	66, 95	553134	50	557070	38
318857	96	319269	66, 95	553135	50	557072	38
318873	96	319285	66, 95	553438	50	<b>559892</b>	73
318899	96	319301	66, 95	<b>554189</b>	49	559894	73
318915	96	319327	66, 95	554190	84	559895	73
318931	96	319343	66, 95	554191	84	<b>56002</b>	99
318956	96	319368	66, 95	<b>555043</b>	36	56010	99
318972	96	319384	66, 95	555044	36	56028	99
318998	96	319400	66, 95	555069	34	56044	99
<b>319012</b>	96	<b>524330</b>	43	555070	35		
319038	96	524397	43	555071	35		
319053	96	<b>551662</b>	75	555073	35		
319061	96	551663	75	555077	35		
319079	66, 95	551664	79	555078	36		
319087	96	551708	45	555079	36		
319095	66, 95	<b>553118</b>	72	555080	36		
319103	96	553119	72	555081	36		

**... IN ALPHABETICAL ORDER**

Description	Page
<b>A</b>	
Angle drive	93
Anti-panic lock, zinc-plated	32, 33
Architect's key	99
<b>B</b>	
Bit-key	86, 96, 97, 98
Bit-key adapter set	66, 95
Bit-key rose pair	69
<b>C</b>	
Cylinder rose	65
Cylinder rose set	34
Cylinder sleeve	94
<b>D</b>	
Door closer	76
Door hinge, adjustable	75
Door hinge for round tubular profile	75
Door hinge, long	74
Door hinge, screw-on	75
Door hinge, short	73
Door hinge with dowel plate	74
Door hinge with wall case	74
Door hinges, V2A	73
Door knob bore set, cranked	58
Door knob bore set, straight	57
Door knob, cranked	52, 53, 55, 60, 61, 62, 64, 65
Door knob pair, straight	57
Door knob pair, with opening resistance	65
Door knob, pivoting	58, 59
Door knob, straight	52, 53, 55, 60, 61, 63, 64
Double profile cylinder	67
Double window key	99
<b>E</b>	
Electric door-opener	48
Electronic closing cylinder	70
Espagnolette, Convenient	49
Espagnolette, rail-guided	49
<b>F</b>	
Flat rod	93
Furniture pair, cranked	85
Furniture pair, straight	85
Furniture set for anti-panic lock	34

Description	Page
<b>G</b>	
Garage-door locks for up-and-over and leaf doors	91
<b>H</b>	
Handle	92
Handle plate	54, 59, 60
Heavy rim lock, inward opening	83, 84
Heavy rim lock, outward opening	83
Heavy tube-frame catch-deadlock	80
Heavy tube-frame catch-deadlock for two profile cylinders	80
Heavy tube-frame deadlock	78
Heavy tube-frame latch	79
<b>L</b>	
Lever handles	55, 64
Lever handles bore set, cranked	58
Lever handles bore set, straight	58
Lever handles, cranked	56, 65
Lever handles, L-shaped	55
Lever handles, straight	56, 63
Lever handles, U-shaped	55, 56
Lever handles, U-shaped, cranked	57
Lever pair, dovetail-shaped	63
Lever rose (pair)	68
Lever rose (set)	68
Lever set for anti-panic lock	34
Lever spindle, grooved	68
Lever spindle, grooved, V2A	68
Lift off hinge	72
Lock case, bare-metal	21, 22, 23, 24, 32, 33
Lock case, empty	21, 22, 23
Lock case, empty, V2A	16
Lock case, empty, V2A, polished	13
Lock case for downward locking, bare-metal	27
Lock case for horizontal multipoint locking, bare metal	29
Lock case for triangular and profile cylinders, bare-metal	25
Lock case for two profile cylinders, bare-metal	26
Lock case for two profile cylinders, empty	25, 26, 38
Lock case for vertical multipoint locking, bare metal	28
Lock case, V2A	11, 12, 16
Lock case, V2A, polished	13
Lock case with roller latch rim deadlock, bare metal	39
Lock case with roller latch rim deadlock for triangular and profile cylinders, bare-metal	38





# WE GENERATE EXCITEMENT - ON YOUR MOBILE DEVICE TOO

The "Clamping technology APP" offers you an overview of AMF's exciting clamping product range. No matter whether mechanical, pneumatic, hydraulic or magnetic clamping technology, as well as vacuum and zero point clamping systems – all the products are presented in detail in this APP, and you can see the numerous application options of AMF clamping technology at a glance.

All products can be downloaded as 2D and 3D CAD models, and be conveniently imported into all standard CAD programs.

Also stay up-to-date and read our news and PDF catalogues on your mobile device.

Test it now by downloading our clamping technology APP free-of-charge from the Apple App Store or Google Play.



**THE CLAMPING TECHNOLOGY APP -  
FIND PRODUCTS, DOWNLOAD  
CAD DATA, STAY INFORMED...**



These Terms of Payment apply for companies, legal entities governed by public law and public law special funds. Our goods and services are supplied exclusively on the basis of the following conditions. Any deviating purchasing conditions of the customer not expressly recognised by us will not become part of the contract through acceptance of the order. By placing the order and accepting the goods we deliver, the customer confirms its consent to our terms and conditions.

## 1. Offer and contractual conclusion

All our offers are always subject to change without notice unless otherwise explicitly agreed. Our delivery contracts are based on the latest version of our catalogue. Dimension and weight values, as well as illustrations, drawings and data, are non-binding and can be changed by us at any time. Therefore, deviations cannot be ruled out and do not justify any compensation claims against us.

Orders are considered accepted only when confirmed by us in writing. If, for organisational reasons, the customer does not receive a separate confirmation upon the delivery of goods, the invoice shall also be deemed the order confirmation.

## 2. Prices

The prices are in EURO, ex-works, excluding VAT, packing, freight, postage and insurance. Unless otherwise agreed, our list prices valid on the day of delivery shall apply. For orders below 50 EUR goods net, we must make a minimum quantity surcharge of a 10 EURO for cost reasons.

## 3. Tool costs

Unless any other agreements have been reached, the tools fabricated for the purpose of executing the order shall remain our property in all cases, even if we have invoiced a tool cost component separately.

## 4. Payment

Unless otherwise stated on the invoice, the purchase price falls due for net payment within 30 days of the invoice date (without deduction of discount). Invoice amounts of below 50 EURO are due for payment immediately.

In case of payment default, we shall be entitled to charge default interest. The amount corresponds to our interest rate for current account credits at our main bank; the minimum however being 8 percentage points above the relevant base interest rate applied by the European Central Bank. Moreover, in case of default following written notice to the customer, we shall be entitled to cease to fulfil our obligations until payments are received.

## 5. No set-off

The customer can set-off only with legally confirmed or undisputed counterclaims.

## 6. Right of withdrawal in case of delayed acceptance or payment and insolvency

If the customer fails to accept the goods in due time, we shall be entitled to set a reasonable period of grace, after which we can dispose of the goods elsewhere and supply the customer on a reasonably longer term. Our rights to withdraw from the contract under the provisions of Section 326 BGB and demand damages for non-performance shall not be affected. If the customer fails to pay for the goods once payment is due, we shall be entitled, at the end of a reasonable period of grace we have set, to withdraw from the contract and demand the return of any goods already supplied. Section 323 BGB remains unaffected in all other cases.

If the customer applies for the opening of insolvency proceedings, we shall be entitled, prior to the ordering of security measures by the insolvency court, to withdraw from the contract and demand the immediate return of the goods.

## 7. Customer-specific fabrications/project fabrications (custom fabrications)

Customer-specific fabrications require binding information on design, quantity etc. in written form at the time of ordering. For manufacturing reasons, we reserve the right to supply up to 10% above or below the order quantity. Technical modifications or cancellations are subject to any costs incurred. The return of customer-specific fabrications is impossible.

## 8. Delivery and packaging, transfer of risk

The delivery date is non-binding; although stated to the best of our knowledge. It is subject to us receiving correct, defect-free and complete deliveries. The stated delivery dates relate to completion in the factory, starting on the day the order is accepted by us. Delivery is EXW (ex-works) in accordance with Incoterms 2010. Therefore, the costs are borne by the customer. The risk is transferred to the customer when the goods are passed to the person, company or facility nominated to execute the shipment. This applies also for partial deliveries, or if we have assumed responsibility for delivery and installation. The risk shall be transferred to the customer even in the case of delayed acceptance.

In the absence of specific shipping instructions, we shall proceed as we deem fit and without any obligation to the cheapest or most expedient method. The customer agrees that the order can also be delivered in parts, insofar as this is reasonable for the customer. We shall charge a 5 EURO processing free for shipping to third parties that we supply on behalf of the customer.

The packaging complies with the packaging ordinance. Disposable packaging shall be charged at cost price. The packaging cannot be taken back.

## 9. Performance impediment and/or impossibility

If we are hindered in the fulfilment of our obligation due to the onset of unforeseeable circumstances, which we are unable to avoid despite reasonable effort in relation to the nature of the circumstances (e.g. operational interruption, delay in the delivery of important raw materials, defects in the delivery), the delivery time shall be extended by a reasonable period, insofar as the supply of goods or services is not rendered unreasonably difficult or impossible.

If we have to accept that these circumstances are not only temporary, we shall be entitled to withdraw from the contract either in whole or in part.

If the supply of goods or services becomes impossible, the customer shall not be obliged to furnish its own contractual service. Section 275 BGB applies mutatis mutandis. If, however, the customer is solely or predominantly responsible for the

circumstances that led to impossibility, it shall remain under an obligation to render the return service. The same applies if this circumstance occurs at a time when the customer is behind schedule with acceptance.

## 10. Samples/returns

Samples shall be provided only against payment. If samples or models are provided, a credit note shall be issued with the subsequent order if the order value is 125 EURO net or more. Goods can be returned only by agreement, although custom fabrications are excluded from such return.

In the case of returns for which we are not responsible (e.g. incorrect order), we shall charge a processing fee of 10%, the minimum value, however, being 7.50 EURO.

## 11. Retention of title

The goods shall remain our property unless full payment of all claims and/or until the cheques provided for this purpose are honoured. The itemisation of claims in an ongoing invoice, as well as balancing the account and the recognition thereof does not affect the retention of title. The customer is entitled to sell on the retained goods during the ordinary course of business. However, the customer is not permitted to pledge the goods or transfer them by way of security. It shall assign its claim ensuing from the selling on of the retained goods to us in advance. The customer shall be entitled to collect the claim to the extent that it has fulfilled its obligations towards us. At our request, the customer shall be obliged to state third-party debtors and we shall be entitled to report this and the assignment.

## 12. Property rights

We reserve property rights and copyrights to all contractual documents such as drafts, drawings, calculations and cost estimates. Such documents must not be reproduced or disclosed to third parties without our consent. Any rights to patents, utility models etc. reside solely with us, insofar as such patents have not yet been filed. Our products are allowed to be replicated only with our written consent.

If objects are fabricated according to drawings or samples, the customer shall warrant that any third party property rights are not infringed by manufacture or delivery. If a third party forbids manufacture and delivery on account of property rights, we shall be entitled to stop manufacture and delivery immediately. The customer shall be obliged to reimburse us with all costs incurred and indemnify us from third party compensation claims. Compensation claims by the customer are impossible.

## 13. Warranty

If the customer agrees with us a particular quality of the goods, we shall base this agreement on our technical delivery specifications. If we have to deliver according to customer drawings, specifications, samples etc., the customer shall assume the risk for suitability for the intended purpose. If, after the contract is concluded, the scope of goods or services is changed at the customer's request and this impairs the quality or suitability of the goods, claims for defects on the part of the customer shall be ruled out, insofar as such impairments are caused by the customer's requests for change.

The time at which the risk is transferred is decisive for the contractual state of the goods. Wear and tear of wearing parts caused by ordinary use does not constitute a defect. Claims for defects are ruled out in the following cases in particular: Unsuitable or improper use, incorrect installation and/or commissioning by the customer or third party, normal wear and tear, incorrect or negligent handling - in particular excessive use -, unsuitable equipment, replacement materials, chemical, electrochemical or electrical influences, unless such defects are caused by ourselves.

If the goods contain a defects, we shall provide, following a reasonable period of grace set by the customer, either a replacement or a repair as we deem fit. If such subsequent performance fails, the customer shall be entitled to either reduce the purchase price or withdraw from the contract. Any further warranty claims are ruled out. In case of negligible deviations from the agreed quality, no claims for defects shall be recognised.

The discovery of defects must be communicated to us immediately in writing. In the case of recognisable defects, however, within 10 days of acceptance, in the case of non-recognisable defects immediately after they become evident. The warranty is 12 months, starting with delivery of the goods ex-works.

## 14. Liability

With the exception of harm to life, body or health on account of a breach of duty by ourselves, our liability shall be limited to intent or gross negligence.

## 15. Place of fulfilment, place of jurisdiction and governing law

The place of fulfilment for all obligations ensuing from this contractual relationship is D-70734 Fellbach.

The place of jurisdiction for all legal disputes ensuing from the contractual relationship is the court responsible for the headquarters of Andreas Maier GmbH & Co. KG.

All disputes ensuing from the contract or regarding the validity thereof shall be finally decided by a court of arbitration in accordance with the Court of Arbitration Ordinance of the German Committee for Arbitration Court Procedures or the Conciliation and Arbitration Arrangement of the International Chamber of Commerce, recourse to ordinary courts of law being excluded. The legal dunning process, however, remains permissible.

German law shall govern (BGB and HGB). The applicability of the UN Convention on Contracts for the International Sale of Goods (CISG) is ruled out.

## 16. Severability clause

If individual provisions become legally invalid, the remaining provisions shall not be affected. The legally invalid provision shall be replaced by regulations that most closely reflect the economic purpose of the contract with reasonable consideration for the mutual interests. The publication of these Terms of Sale, Delivery and Payment renders all previous versions invalid. This does not apply for any contracts concluded prior to announcement.

# LOCKS FOR GATES AND DOORS **CATALOGUE 2020**

Request additional catalogues from [www.amf.de](http://www.amf.de)



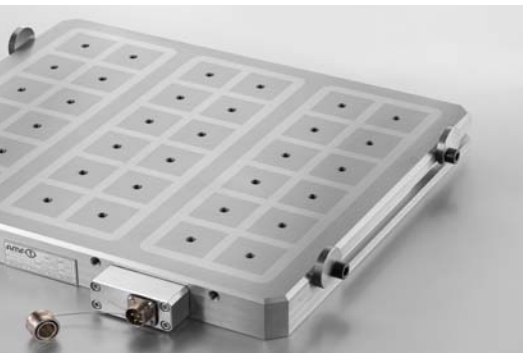
ZERO-POINT-SYSTEMS



HYDRAULIC CLAMPING SYSTEMS



VACUUM CLAMPING SYSTEMS



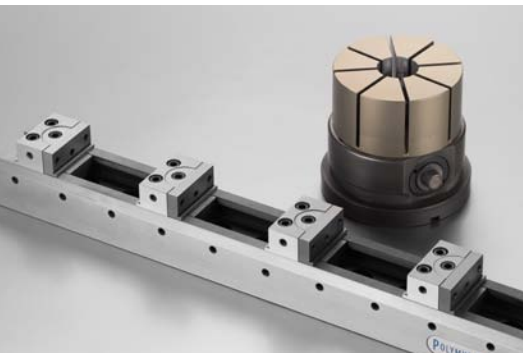
MAGNETIC CLAMPING SYSTEMS



WIRELESS SENSING SYSTEMS



TOGGLE CLAMPS



SINGLE AND MULTIPLE CLAMPING SYSTEMS



STANDARD CLAMPING SYSTEMS



MARKING AND CLEANING TOOLS



**ANDREAS MAIER GmbH & Co. KG**

Waiblinger Straße 116 · D-70734 Fellbach

Phone: +49 711 5766-0

Fax: +49 711 575725

E-mail: [amf@amf.de](mailto:amf@amf.de)

Web: [www.amf.de](http://www.amf.de)

**Order no. 550069 · € 3,60**